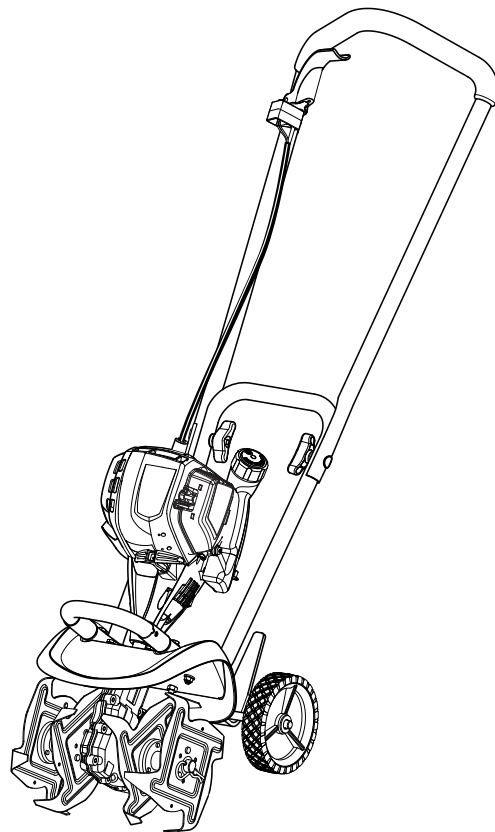




OPERATOR'S MANUAL
MANUEL D'UTILISATION
MANUAL DEL OPERADOR
4-CYCLE CULTIVATOR
CULTIVATEUR QUATRE TEMPS
CULTIVADORA DE CUATRO TIEMPOS
RY64400



Your cultivator has been engineered and manufactured to our high standard for dependability, ease of operation, and operator safety. When properly cared for, it will give you years of rugged, trouble-free performance.

⚠ WARNING: To reduce the risk of injury, the user must read and understand the operator's manual before using this product. If you do not understand the warnings and instructions in the operator's manual, do not use this product.

SAVE THIS MANUAL FOR FUTURE REFERENCE

Cette cultivateur a été conçu et fabriqué conformément à nos strictes normes de fiabilité, simplicité d'emploi et sécurité d'utilisation. Correctement entretenu, cet outil vous donnera des années de fonctionnement robuste et sans problème.

Su cultivadora ha sido diseñado y fabricado de conformidad con nuestras estrictas normas para brindar fiabilidad, facilidad de uso y seguridad para el operador. Con el debido cuidado, le brindará muchos años de sólido funcionamiento y sin problemas.

⚠ AVERTISSEMENT : Pour réduire les risques de blessures, l'utilisateur doit lire et veiller à bien comprendre le manuel d'utilisation avant d'employer ce produit. Si tous les avertissements et toutes les consignes de sécurité et instructions du manuel d'utilisation ne sont pas bien compris, ne pas utiliser ce produit.

⚠ ADVERTENCIA: Para reducir el riesgo de lesiones, el usuario debe leer y comprender el manual del operador antes de usar este producto. Guarde este manual del operador y estúdielo frecuentemente para lograr un funcionamiento seguro y continuo de este producto

**CONSERVER CE MANUEL POUR
FUTURE RÉFÉRENCE**

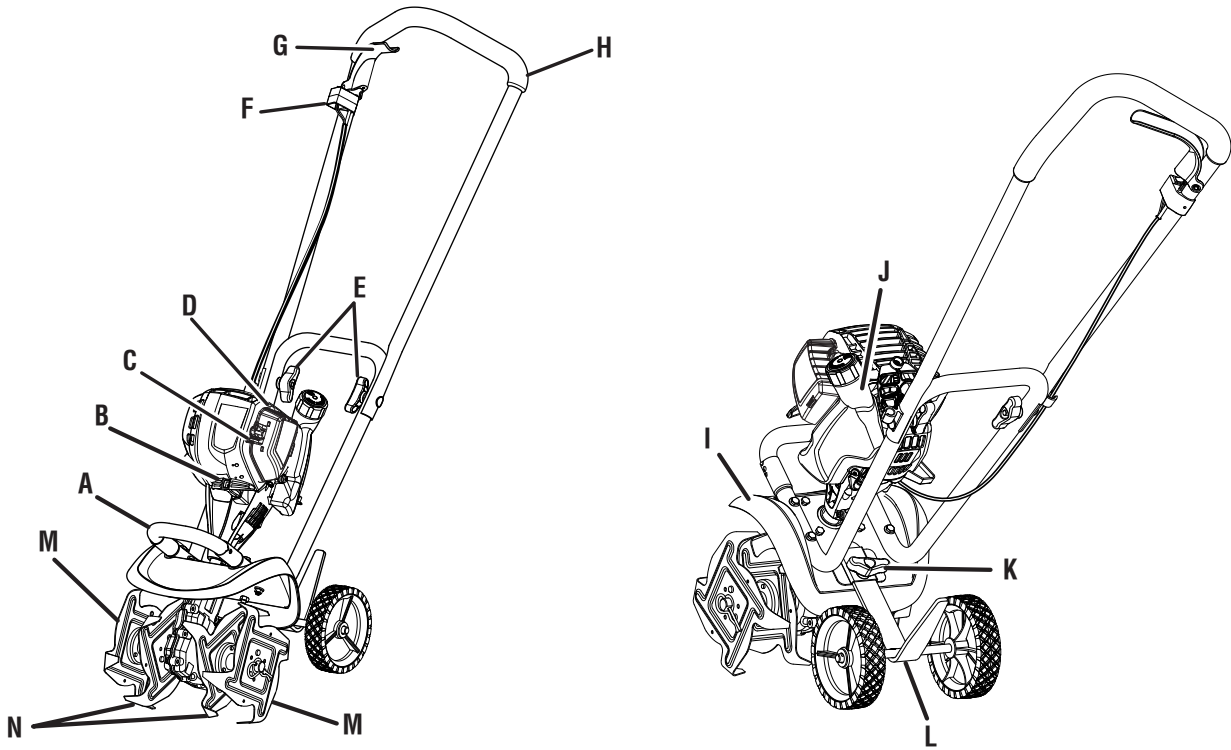
**GUARDE ESTE MANUAL PARA
FUTURAS CONSULTAS**

See this fold-out section for all the figures referenced in the operator's manual.

Voir que cette section d'encart pour toutes les figures a adressé dans le manuel d'utilisation.

Vea esta sección de la página desplegable para todas las figuras mencionó en el manual del operador.

Fig. 1

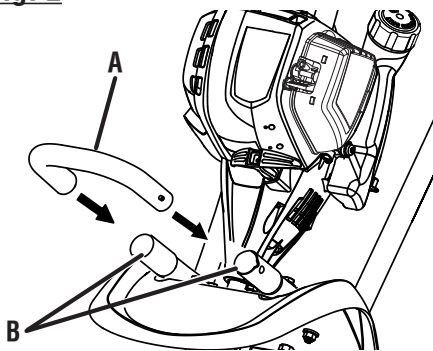


- A - Front handle (poignée avant, mango delantero)
- B - Starter grip and rope (poignée du lanceur et corde, mango del arrancador y cuerda)
- C - Choke lever (levier de volet de départ, palanca de arranque)
- D - Primer bulb (poire d'amorçage, bomba de cebado)
- E - Handlebar knobs (boutons de guidon, perillas de la barra del mango)

- F - On/Stop switch (commutateur marche/butéé, interruptor de encendido/tope)
- G - Throttle trigger (gâchette d'accélérateur, gatillo del acelerador)
- H - Handlebar (poignée du guidon, barra del mango)
- I - Tine shield (arbre de lames, protector de las aspas)
- J - Fuel tank (réservoir de carburant, tanque de combustible)

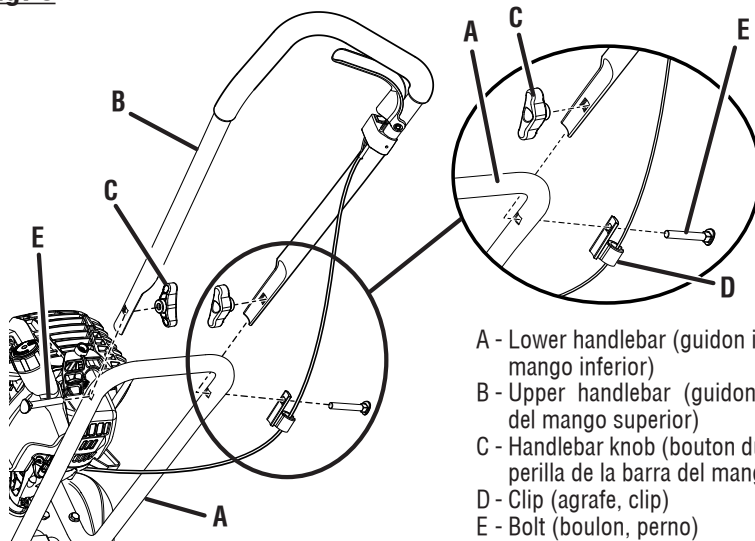
- K - Adjustment knob (le bouton de réglage, la perilla de ajuste)
- L - Wheel/drag bar assembly (l'ensemble roues/guide de profondeur, el conjunto de rueda/barra de arrastre)
- M - Outer tines (dents extérieure, púas exterior)
- N - Inner tines (dents intérieur, púas interior)

Fig. 2



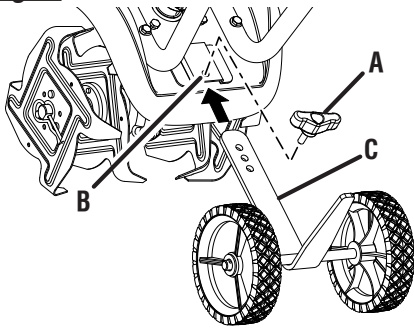
- A - Front handle (poignée avant, mango delantero)
- B - Frame opening (ouverture du cadre, abertura del bastidor)

Fig. 3



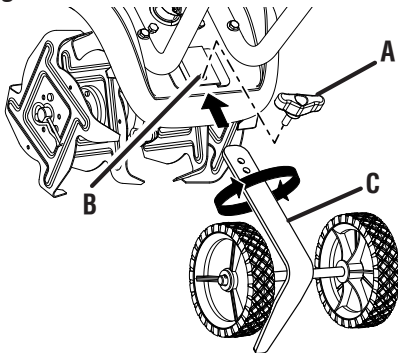
- A - Lower handlebar (guidon inférieur, barra del mango inferior)
- B - Upper handlebar (guidon supérieur, barra del mango superior)
- C - Handlebar knob (bouton du guidon inférieur, perilla de la barra del mango inferior)
- D - Clip (agrafe, clip)
- E - Bolt (boulon, perno)

Fig. 4



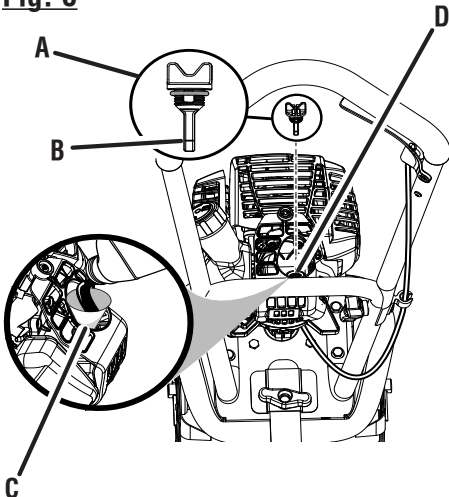
- A - Adjustment knob (bouton de réglage , perilla de ajuste)
- B - Opening (ouverture, abertura)
- C - Wheel/drag bar assembly (l'ensemble roues/guide de profondeur, el conjunto de rueda/barra de arrastre)

Fig.5



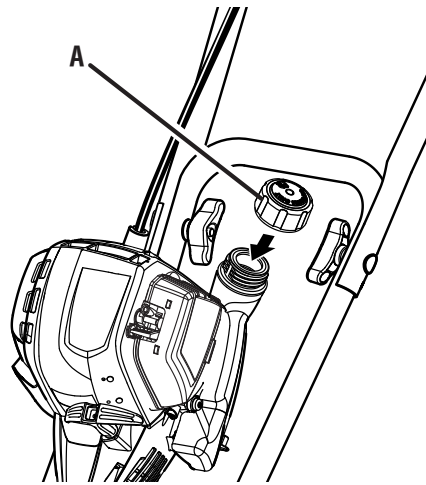
- A - Adjustment knob (bouton de réglage , perilla de ajuste)
- B - Opening (ouverture, abertura)
- C - Wheel/drag bar assembly (l'ensemble roues/guide de profondeur, el conjunto de rueda/barra de arrastre)

Fig. 6



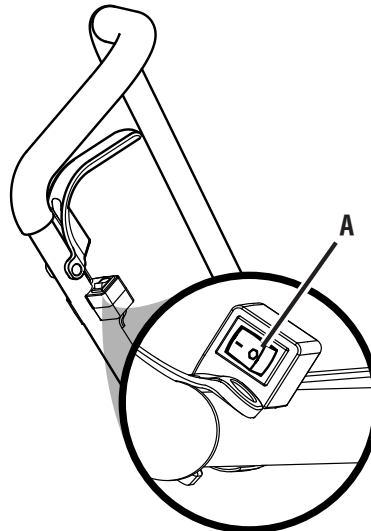
- A - Oil cap/dipstick (bouchon/jauge d'huile, tapa de relleno de aceite / varilla medidora de aceite)
- B - Fill line (ligne de remplissage, línea de llenado)
- C - Funnel (entonnoir, embudo)
- D - Oil fill hole (orifice de remplissage d'huile, agujero de llenado de aceite)

Fig.7



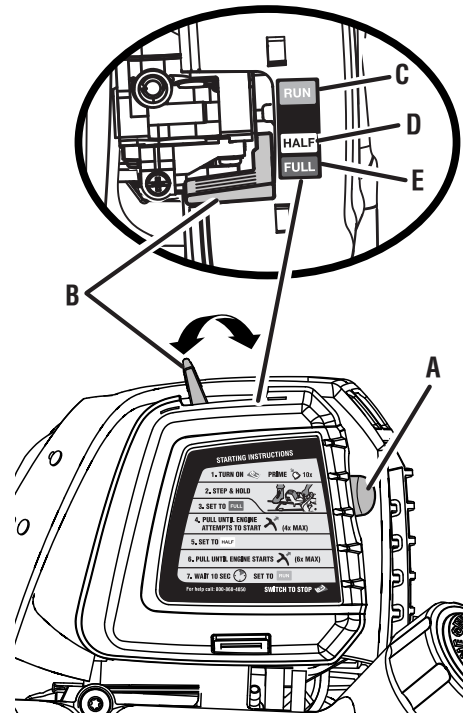
- A - Fuel tank cap (bouchon de réservoir de carburant, tapa del tanque de combustible)

Fig. 8



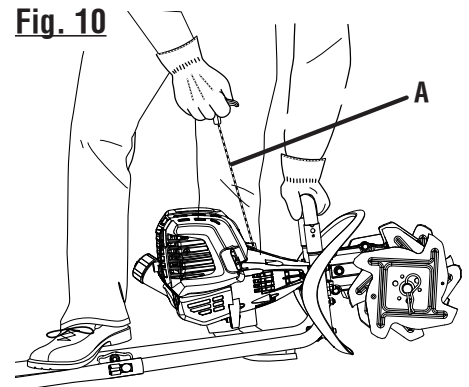
- A - On/Stop switch (commutateur marche/buteé, interruptor de encendido/ tope)

Fig. 9



- A - Primer bulb (poire d'amorçage, bomba de cebado)
- B - Choke lever (levier de volet de départ, palanca de arranque)
- C - Run position (position de marche, posición de funcionamiento)
- D - Half choke (volet de départ demi ouvert, anegación media)
- E - Full choke (volet de départ ouvert, anegación máxima)

Fig. 10

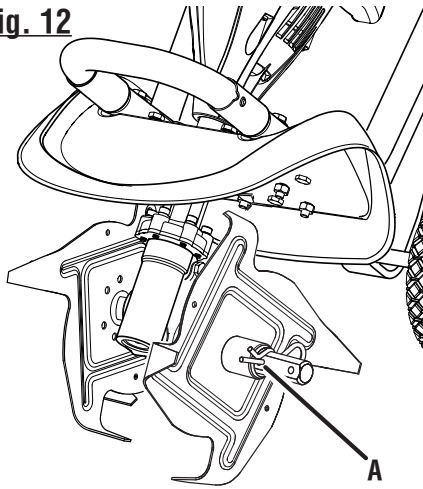


- A - Starter grip and rope (poignée du lanceur et corde, mango del arrancador y cuerda)

Fig. 11

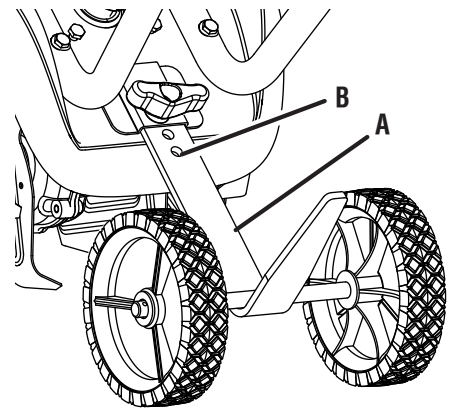


Fig. 12



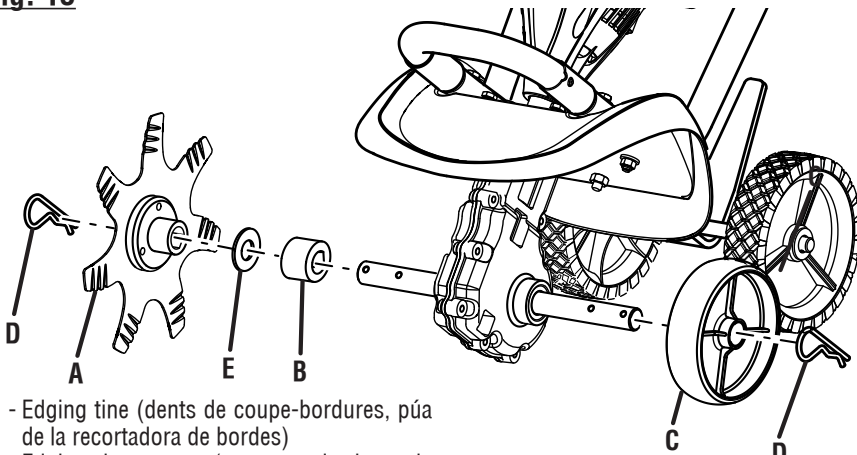
A - Hitch pin (goupille de sûreté, pasador del enganche)

Fig. 15



A - Wheel assembly position A (position A de ensemble de roue, posición A de conjunto de la rueda)
 B - Depth adjustment hole (trou de réglage de profondeur, fondo de ajuste agujero)

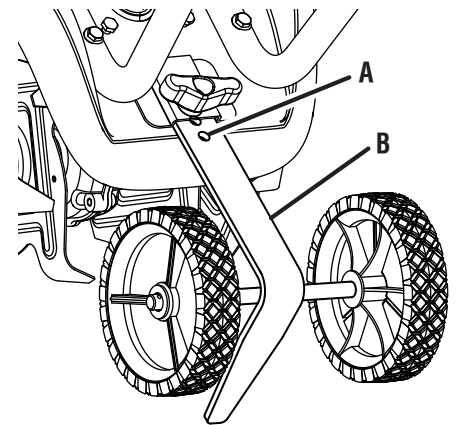
Fig. 13



A - Edging tine (dents de coupe-bordures, púa de la recortadora de bordes)
 B - Edging tine spacer (espaceur de dents de coupe-bordures, separador de púa de la recortadora de bordes)
 C - Edging wheel (guide de coupe-bordures, rueda de la recortadora de bordes)

D - Hitch pin (goupille de sûreté, pasador del enganche)
 E - Felt washer (rondelle en feutre, arandela de fieltro)

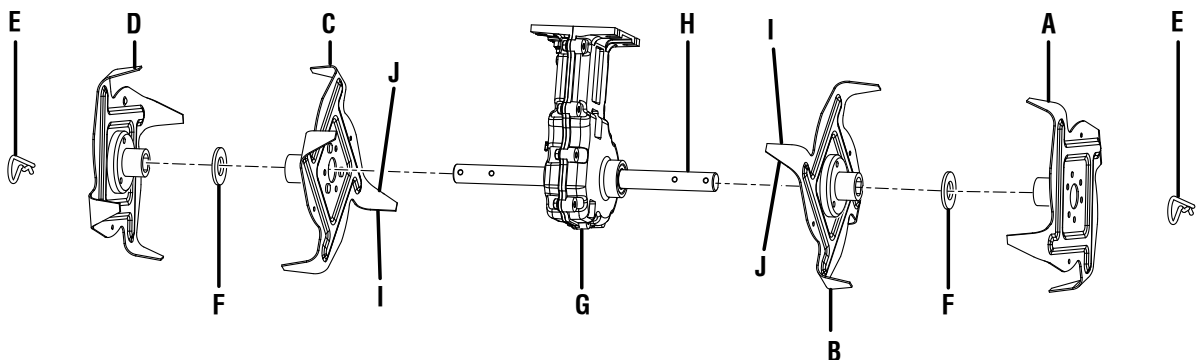
Fig. 16



A - Wheel assembly position B (position B de ensemble de roue, posición B de conjunto de la rueda)
 B - Depth adjustment hole (trou de réglage de profondeur, fondo de ajuste agujero)

Fig. 14

**View from the front
(vue de face, vista desde el frente)**

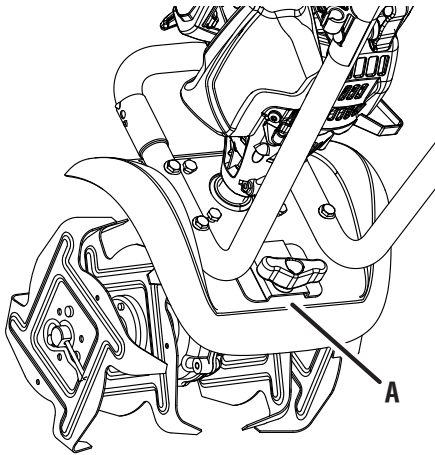


A - Tine A (lame A, hoja de aspa A)
 B - Tine B (lame B, hoja de aspa B)
 C - Tine C (lame C, hoja de aspa C)
 D - Tine D (lame D, hoja de aspa D)
 E - Hitch pin (goupille de sûreté, pasador del enganche)

F - Felt washer (rondelle en feutre, arandela de fieltro)
 G - Gear box (boîte d'engrenages, caja de engranajes)
 H - Tine shaft (arbre de lames, eje de las aspas)

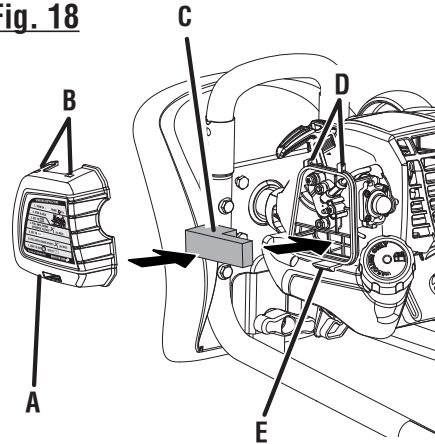
I - Flat edge (bord plat, borde plano)
 J - Angled edge (bord biseauté, borde inclinado)

Fig. 17



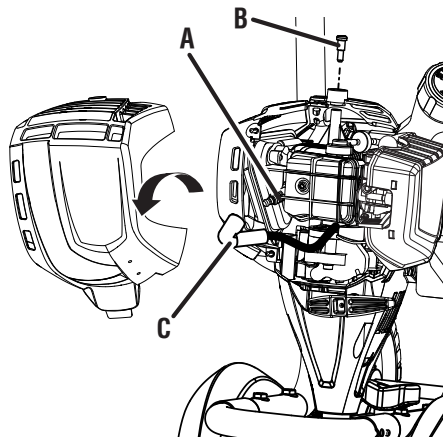
A - Wheel assembly position C (position C de ensemble de roue, posición C de conjunto de la rueda)

Fig. 18



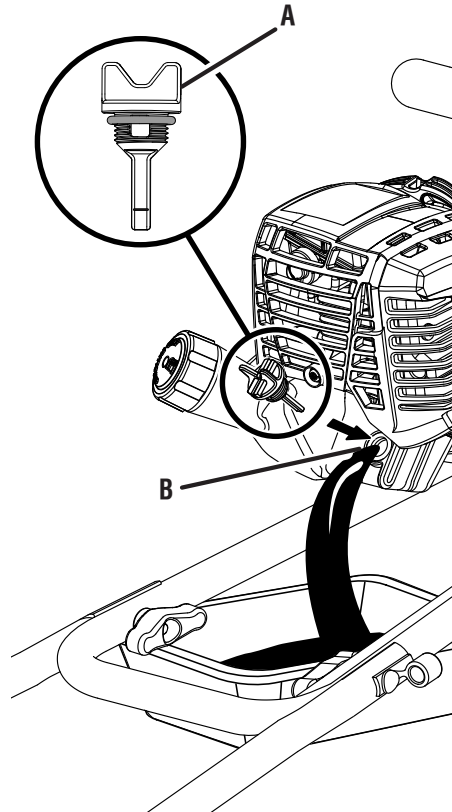
A - Air filter cover (couverture du filtre à air, tapa de la cámara de ventilación)
 B - Holes (trous, agujeros)
 C - Air filter (filtre à air, filtro de aire)
 D - Lock tab (languette de verrouillage, orejeta de fijación)
 E - Latch (loquet, pestillo)

Fig. 19



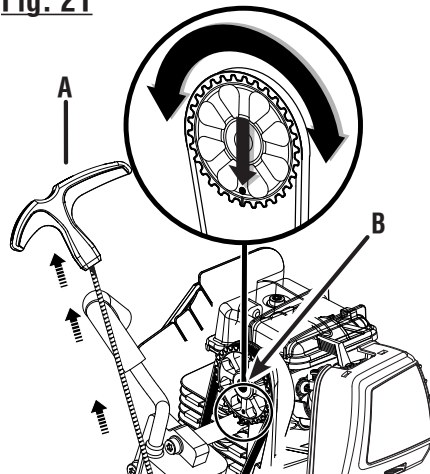
A - Spark plug (bougie, bujía)
 B - Screw (vis, tornillo)
 C - Spark plug wire (fil de la bougie, cable de la bujía)

Fig. 20



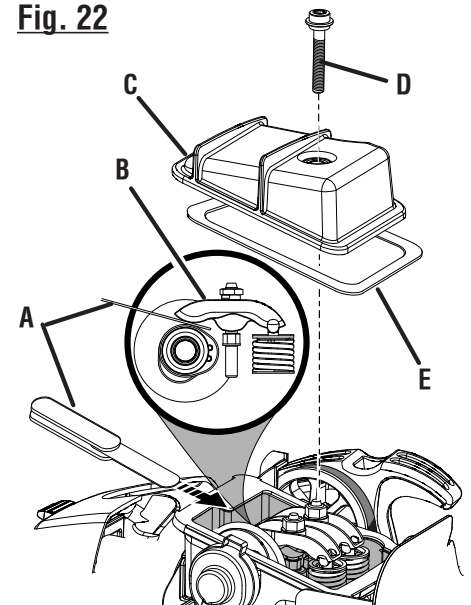
A - Oil cap/dipstick (bouchon/jauge d'huile, tapa de relleno de aceite / varilla medidora de aceite)
 B - Oil fill hole (orifice de remplissage d'huile, agujero de llenado de aceite)

Fig. 21



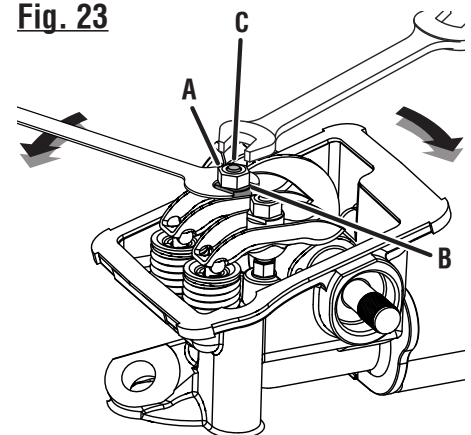
A - Starter grip and rope grip (poignée du lanceur et corde, mango del mango del arrancador y cuerda)
 B - Deep hole in camshaft gear (trou profond situé dans l'engrenage de l'arbre à cames, orificio profundo en el engranaje del árbol de levas)

Fig. 22



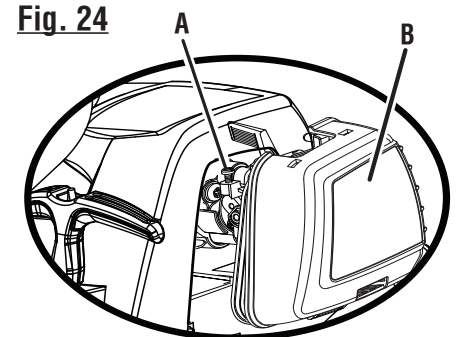
A - Feeler gauge (jauge d'épaisseur, calibrador de separaciones)
 B - Rocker arm (culbuteur, balancín)
 C - Rocker arm cover (cache-culasse, tapa del balancín)
 D - Screw (vis, tornillo)
 E - Gasket (joint, junta)

Fig. 23



A - Retaining nut (écrou de retenue, tuerca de retención)
 B - Adjusting nut (écrou de réglage, tuerca de ajuste)
 C - Stud (goujon, elemento estructural)

Fig. 24



A - Idle speed screw (vis de ralenti, tornillo de ajuste de la velocidad en vacío)
 B - Air filter cover (couverture du filtre à air, tapa del filtro de aire)

TABLE OF CONTENTS

TABLE DES MATIÈRES / ÍNDICE DE CONTENIDO

■ Introduction	2
Introduction / Introducción	
■ General Safety Rules	3-4
Règles de sécurité générales / Reglas de seguridad generales	
■ Specific Safety Rules.....	4
Règles de sécurité particulières / Reglas de seguridad específicas	
■ Symbols.....	5
Symboles / Símbolos	
■ Features.....	6
Caractéristiques / Características	
■ Assembly	6-7
Assemblage / Armado	
■ Operation.....	7-10
Utilisation / Funcionamiento	
■ Adjustments.....	10
Réglages / Ajustes	
■ Maintenance	11-13
Entretien / Mantenimiento	
■ Troubleshooting	13-14
Dépannage / Solución de problemas	
■ Warranty	14-16
Garantie / Garantía	
■ Parts Ordering and Service	Back Page
Commande de pièces et réparation / Pedidos de piezas y servicio	Page arrière / Pág. posterior

INTRODUCTION

INTRODUCTION / INTRODUCCIÓN

This product has many features for making its use more pleasant and enjoyable. Safety, performance, and dependability have been given top priority in the design of this product making it easy to maintain and operate.

* * *

Ce produit offre de nombreuses fonctions destinées à rendre son utilisation plus plaisante et satisfaisante. Lors de la conception de ce produit, l'accent a été mis sur la sécurité, les performances et la fiabilité, afin d'en faire un outil facile à utiliser et à entretenir.

* * *

Este producto ofrece numerosas características para hacer más agradable y placentero su uso. En el diseño de este producto se ha conferido prioridad a la seguridad, el desempeño y la fiabilidad, por lo cual se facilita su manejo y mantenimiento.

GENERAL SAFETY RULES

WARNING!

READ AND UNDERSTAND ALL INSTRUCTIONS.

Failure to follow all instructions listed below, may result in electric shock, fire and/or serious personal injury.

SAVE THESE INSTRUCTIONS

- Read the operator's manual carefully. Be thoroughly familiar with the controls and the proper use of the equipment. Know how to stop the unit and disengage the controls quickly.
- Never allow children to operate the equipment. Never allow adults to operate the equipment without proper instruction.
- Always wear eye protection with side shields marked to comply with ANSI Z87.1, along with hearing protection. Failure to do so could result in objects being thrown into your eyes and other possible serious injuries.
- Do not force tool. Use the correct tool for your application. The correct tool will do the job better and safer at the rate for which it is designed.
- Wear heavy long pants, long sleeves, boots, and gloves. Do not wear loose fitting clothing, short pants, jewelry of any kind, sandals, or go barefoot.
- Secure long hair so it is above shoulder level to prevent entanglement in any moving parts.
- Keep all bystanders, children, and pets at least 50 ft. away.
- Keep the area of operation clear of all persons, particularly small children, and pets.
- Never operate the cultivator without good visibility or light.
- Thoroughly inspect the area where the equipment is to be used and remove all foreign objects.
- Do not operate the machine without wearing adequate outer garments. Avoid loose garments or jewelry that could get caught in moving parts of the machine or its engine.
- Do not operate the equipment while barefoot or when wearing sandals or similar lightweight footwear. Wear protective footwear that will protect your feet and improve your footing on slippery surfaces.
- Do not operate the cultivator while under the influence of alcohol or drugs.
- Do not put hands or feet near or under tines.
- Keep firm footing and balance. Do not overreach. Overreaching can result in loss of balance.
- Exercise caution to avoid slipping or falling.
- Never start or run the engine inside a closed area. Breathing exhaust fumes will kill you.
- Never pick up or carry a machine while the engine is running.
- Keep machine and accessories in good working condition.
- Check all nuts, bolts, and screws at frequent intervals for proper tightness to be sure the equipment is in safe working condition.
- Never store the machine with fuel in the fuel tank.
- Keep the unit free of grass, leaves, or grease to reduce the chance of a fire hazard.
- Keep in mind that the operator or user is responsible for accidents or hazards occurring to other people, their property, and themselves.
- Never attempt to make any adjustments while the engine is running (except where specifically recommended by the manufacturer).
- Exercise extreme caution when operating on or crossing drives, walks, or roads. Stay alert for hidden hazards or traffic. Do not carry passengers.
- If the unit should start to vibrate abnormally, stop the engine and check immediately for the cause. Vibration is generally a warning sign of trouble.
- Take all possible precautions when leaving the machine unattended. Shut off the engine and make certain all moving parts have stopped. Disconnect the spark plug wire, and keep the wire away from the plug to prevent starting.
- Never operate the machine without proper guards, plates, or other safety protective devices in place.
- Be careful when tilling in hard ground. The tines may catch in the ground and propel the cultivator forward. If this occurs, let go of the handlebars and do not restrain the machine.
- Do not change the engine governor settings or overspeed the engine.
- Never store the machine with fuel in the fuel tank inside a building where ignition sources are present, such as hot water and space heaters, clothes dryers, and the like. Allow the engine to cool before storing in any enclosure.
- Always refer to the operator's manual for important details if the cultivator is to be stored for an extended period.
- Follow manufacturer's recommendations for safe loading, unloading, transport, and storage of machine.

GENERAL SAFETY RULES

SERVICE

- Before cleaning, repairing, or inspecting, shut off the engine and make certain all moving parts have stopped. Disconnect the spark plug wire, and keep the wire away from the plug to prevent starting.
- Service on the cultivator must be performed by qualified repair personnel only. Service or maintenance performed by unqualified personnel could result in injury to the user or damage to the product.
- Use only identical replacement parts when servicing the cultivator. Use of unauthorized parts may create a risk of serious injury to the user, or damage to the product.

SPECIFIC SAFETY RULES

- Do not use near underground electric cables, telephone lines, pipes, or hoses. If in doubt, contact your utility or telephone company to locate underground services.
- If the unit strikes a foreign object, stop the engine, disconnect the spark plug, thoroughly inspect the machine for any damage, and repair the damage before restarting and operating the machine.
- Never leave the operating position when the engine is running.
- Stop the engine and disconnect the spark plug before unclogging the tines and when making any repairs, adjustments, or inspections.
- Do not overload the machine capacity by cultivating too deep in a single pass or at too fast a rate.
- Stay alert. Watch what you are doing. Use common sense. Do not operate cultivator when you are tired, ill, or upset.
- Be aware that the equipment may unexpectedly bounce upward or jump forward if the tines should strike buried obstacles such as large stones, roots, or stumps.
- Do not use any attachments or accessories not recommended by the manufacturer of this product.
- Never operate the equipment on a slope.
- Use extreme caution when pulling the machine towards you.
- Start the engine carefully according to instructions from a normal operating position and with feet well away from the tines. Do not force cultivator. It will do the job better and with less likelihood of a risk of injury at the rate for which it was designed.
- When not in use, cultivator should be stored indoors in a dry, locked up place — out of the reach of children.
- Maintain cultivator with care. Keep tines clean for best performance and reduce the risk of injury. Follow instructions for lubrication and changing accessories. Inspect starter cord periodically and, if damaged, have it replaced. Keep handles dry, clean, and free from grease and lubricant.
- Check damaged parts. Before further use of this cultivator, a guard or other part that is damaged should be carefully checked to determine that it will operate properly and perform its intended function. Check for alignment of moving parts, binding of moving parts, breakage of




parts, mounting, and any other condition that may affect its operation. A guard or other part that is damaged should be properly repaired or replaced by an authorized service center unless otherwise indicated elsewhere in this manual.

REFUELING








- Fuel is highly flammable. Take precautions when using to reduce the chance of serious personal injury.
- Store fuel in a cool, well-ventilated area, safely away from spark and/or flame-producing equipment.
- Store fuel in containers specifically designed for this purpose.
- Only refuel outdoors and do not smoke while refueling.
- Add fuel before starting the engine. Never remove the cap of the fuel tank or add fuel while the engine is running or when the engine is hot.
- Do not smoke while handling fuel.
- Loosen fuel cap slowly to release pressure and to keep fuel from escaping around the cap.
- Tighten the fuel cap securely after refueling.
- Wipe spilled fuel from the unit. Move 30 feet away from refueling site before starting engine.
- Never attempt to burn off spilled fuel under any circumstances.
- To reduce the risk of fire and burn injury, handle fuel with care. It is highly flammable.
- If fuel is spilled, do not attempt to start the engine but move the machine away from the area of spillage and avoid creating any source of ignition until fuel vapors have dissipated.
- Replace all fuel tank and container caps securely.
- Empty fuel tank into a container approved for gasoline and restrain the unit from moving before transporting in a vehicle.
- When draining the fuel tank, use an approved fuel storage container in a well-ventilated area.
- Select bare ground, stop engine, and allow to cool before refueling.
- Save these instructions. Refer to them frequently and use them to instruct others who may use this tool. If you loan someone this tool, loan them these instructions also.

SYMBOLS

The following signal words and meanings are intended to explain the levels of risk associated with this product.

SYMBOL	SIGNAL	MEANING
	DANGER:	Indicates an imminently hazardous situation, which, if not avoided, will result in death or serious injury.
	WARNING:	Indicates a potentially hazardous situation, which, if not avoided, could result in death or serious injury.
	CAUTION:	Indicates a potentially hazardous situation, which, if not avoided, may result in minor or moderate injury.
	CAUTION:	(Without Safety Alert Symbol) Indicates a situation that may result in property damage.

Some of the following symbols may be used on this product. Please study them and learn their meaning for safe operation of this product.

SYMBOL	NAME	EXPLANATION
	Safety Alert	Indicates a potential personal injury hazard.
	Read Operator's Manual	To reduce the risk of injury, user must read and understand operator's manual before using this product.
	Wear Eye and Hearing Protection	Always wear eye protection with side shields marked to comply with ANSI Z87.1, along with hearing protection.
	Keep Bystanders Away	Keep all bystanders at least 50 ft. away.
	Cutting Hazard	Keep feet and hands away from rotating tines.
	Cutting Hazard	Keep feet and hands away from rotating tines.
	Gasoline and Lubricant	Use unleaded gasoline intended for motor vehicle use with an octane rating of 87 [(R + M) / 2] or higher.

FEATURES

PRODUCT SPECIFICATIONS

Engine Size.....	30 cc
Engine Output	1 HP
Engine Lubricant Volume.....	2.2 oz.

KNOW YOUR CULTIVATOR

See Figure 1.

The safe use of this product requires an understanding of the information on the product and in this operator's manual as well as a knowledge of the project you are attempting. Before use of this product, familiarize yourself with all operating features and safety rules.

ON/STOP SWITCH

The on/stop switch controls the ignition system. The switch must be in the on (I) position for the engine to start and run. To stop, place the switch in the off (O) position.

PRIMER BULB

The primer bulb pumps fuel from the fuel tank to the carburetor. This is necessary only when starting a cold engine or after refueling an engine that has run out of fuel.

STARTER GRIP AND ROPE

The starter grip and rope is used for starting the engine.

THROTTLE TRIGGER

The throttle trigger controls the rotation speed of the tines. Completely engage the throttle trigger while cultivating.

ASSEMBLY

UNPACKING

This product requires assembly.

- Carefully remove the product and any accessories from the box. Make sure that all items listed in the packing list are included.

WARNING:

Do not use this product if any parts on the packing list are already assembled to your product when you unpack it. Parts on this list are not assembled to the product by the manufacturer and require customer installation. Use of a product that may have been improperly assembled could result in serious personal injury.

- Inspect the product carefully to make sure no breakage or damage occurred during shipping.
- Do not discard the packing material until you have carefully inspected and satisfactorily operated the product.
- If any parts are damaged or missing, please call 1-800-860-4050 for assistance.

PACKING LIST

- Cultivator
- 4-Cycle Lubricant
- Bolts (2)
- Edging Tine
- Edging Tine Spacer
- Edging Wheel
- Front Handle
- Handlebar Knobs (2)
- Upper Handlebar
- Wheel/Drag Bar Assembly
- Wheel/Drag Bar Adjustment Knob
- Operator's Manual

WARNING:

If any parts are damaged or missing do not operate this product until the parts are replaced. Use of this product with damaged or missing parts could result in serious personal injury.

ASSEMBLY

WARNING:

Do not attempt to modify this product or create accessories not recommended for use with this product. Any such alteration or modification is misuse and could result in a hazardous condition leading to possible serious personal injury.

WARNING:

To prevent accidental starting that could cause serious personal injury, always disconnect the engine spark plug wire from the spark plug when assembling parts.

INSTALLING THE FRONT HANDLE

See Figure 2.

- Position the front handle as shown with label facing up.
- Depress the buttons on the handle and insert into the frame. Press down on the handle until the button on the handle clicks into place

INSTALLING THE HANDLEBAR

See Figure 3.

- Locate handlebar knobs and bolts.
- Position upper handlebar onto lower handlebar. Make sure the throttle cable and throttle trigger is on the right side as shown.

NOTE: Do not allow throttle cable to become pinched when installing the handlebar.

- Align the holes in the clip, the upper handlebar and lower handlebar.
- Install bolt as shown in Figure 3.
- Thread handlebar knob onto bolt and tighten securely. Repeat with other side

INSTALLING THE WHEEL/DRAW BAR ASSEMBLY

See Figures 4 - 5.

Use the wheel/draw bar assembly to transport the unit to and from the work area.

To install:

- Locate the Wheel/Draw Bar Adjustment Knob

NOTE: For installation with the Draw bar up, see Figure 4; for installation with the Draw bar down, see Figure 5.

- Insert the wheel/draw bar assembly support rod, with drag bar pointed upward, into the opening beneath the adjustment knob. To place the wheels in a high position, insert the rod to the first hole. For a lower wheel position, insert the rod to the second or third hole.
- Insert wheel/draw bar adjustment knob. Rotate clockwise to secure the wheel assembly in place.

OPERATION

WARNING:

Do not allow familiarity with this product to make you careless. Remember that a careless fraction of a second is sufficient to inflict serious injury.

WARNING:

Always wear eye protection with side shields marked to comply with ANSI Z87.1, along with hearing protection. Failure to do so could result in objects being thrown into your eyes and other possible serious injuries.

WARNING:

Do not use any attachments or accessories not recommended by the manufacturer of this product. The use of attachments or accessories not recommended can result in serious personal injury.

WARNING:

Do not allow hands, feet, or any other part of the body or clothing near the rotating tines or any other moving part. The tines begin to rotate forward once the engine is started and the throttle trigger is depressed. The tines continue to rotate until the throttle trigger is released. Failure to avoid contact could cause serious personal injury.

CAUTION:

Attempting to start the engine before it has been properly filled with lubricant will result in equipment failure.

ADDING/CHECKING ENGINE LUBRICANT

See Figure 6.

Engine lubricant has a major influence on engine performance and service life. This unit is shipped with a 20W50 engine lubricant to assist in the break-in period. For best operating performance, continuing to use 20W50 engine lubricant is recommended, however, SAE 30, 10W30, or 10W40 are all acceptable lubricants to use in this product.

OPERATION

Always use a 4-stroke motor lubricant that meets or exceeds the requirements for API service classification SJ. Check lubricant level before each use.

NOTE: Non-detergent or 2-stroke engine lubricants will damage the engine and should not be used.

To add engine lubricant:

- Remove the cap and seal from lubricant bottle provided.
- Unscrew the oil cap/dipstick and remove.
- Using a funnel add entire bottle of engine lubricant through oil fill hole.
- Reinstall the oil cap/dipstick and secure.

To check engine lubricant level:

- Set cultivator in upright position with the wheel assembly connected for stability.
- Wipe dipstick clean and re-seat in hole; do not rethread.
- Remove dipstick again and check lubricant level. Lubricant level should fall within the hatched area on the dipstick.
- If level is low, add engine lubricant until the fluid level rises to the upper portion of the hatched area on the dipstick.
- Replace and secure the oil cap/dipstick.

CAUTION:

Do not overfill. Overfilling the crankcase may cause excessive smoke, oil loss, and engine damage.



WARNING:

Gasoline and its vapors are highly flammable and explosive. To prevent serious personal injury and property damage, handle it with care. Keep away from ignition sources and open flames, handle outdoors only, do not smoke while mixing gasoline and lubricant together; and wipe up spills immediately.

FUELING AND REFUELING THE CULTIVATOR

See figure 7.

- Clean surface around fuel cap to prevent contamination.
- Loosen fuel cap slowly. Rest the cap on a clean surface.
- Carefully pour fuel into the tank. Avoid spillage.
- Prior to replacing the fuel cap, clean and inspect the gasket.
- Immediately replace fuel cap and hand tighten. Wipe up any fuel spillage.

NOTE: It is normal for smoke to be emitted from a new engine after first use.



WARNING:

Always shut off engine before fueling. Never add fuel to a machine with a running or hot engine. Move at least 30 ft. from refueling site before starting engine. Do not smoke and stay away from open flames and sparks! Failure to follow these instructions could result in serious personal injury.

OXYGENATED FUELS

DO NOT USE E85 FUEL. IT WILL VOID YOUR WARRANTY.

NOTE: Fuel system damage or performance problems resulting from the use of an oxygenated fuel containing more than the percentages of oxygenates stated below **are not covered under warranty.**

Ethanol. Gasoline containing up to 10% ethanol by volume (commonly referred to as E10) is acceptable. **E85 is not.**

APPLICATIONS

Before each use, inspect the entire product for damaged, missing, or loose parts such as screws, nuts, bolts, caps, etc. Tighten securely all fasteners and caps and do not operate this product until all missing or damaged parts are replaced. Please call 1-800-860-4050 or contact an authorized service center for assistance.

You may use this product for the purposes listed below:

- Breaking up garden soil to prepare seed bed for planting
- Shallow cultivating to remove weeds
- Edging around walkways, flower beds and other similar areas.

STARTING/STOPPING THE CULTIVATOR

See Figures 8 - 11.

To start an engine that is cold or has run dry:

- Fill the fuel tank, if necessary. Always use the proper gasoline.
- Place the on/stop switch in the **ON (I)** position.
NOTE: Do not engage the throttle trigger during the starting process.
- Press the primer bulb 10 times slowly.
NOTE: After the 7th press, fuel should be visible in the primer bulb. If it is not, continue to press the primer until you see fuel in the bulb.
- Lean the unit back on its wheels so that the handlebar rests on the ground.
- Place foot on handle bar and one hand on front handle.
- Set the choke lever to the **FULL CHOKE** position.
- With the throttle trigger at idle, pull starter handle sharply until engine attempts to run. Do not pull the starter handle more than four (4) times.

OPERATION

- Set the choke lever to the **HALF CHOKE** position.
- Pull the starter grip until the engine runs. Do not pull the starter grip more than six (6) times.
NOTE: If the engine does not start, return to the **FULL CHOKE** position and repeat the steps that follow.
- Allow the engine to run for 10 seconds, then set the choke lever to the **RUN** position.
- Move to the rear of the machine and raise it so it rests on the tines and wheels. Squeeze throttle trigger to run.

To restart a warm engine:

- Slowly press the primer bulb 10 times.
- Set the choke lever to the **RUN** position.
- Pull the starter grip until the engine runs. Do not squeeze the throttle trigger to start a warm engine.

To stop the engine:

- To stop the engine, depress the **STOP** switch to the stop position "O"

IF ASSISTANCE IS REQUIRED FOR THIS PRODUCT:

Do not return this product to the retail store where it was purchased. Please call our Customer Service Department for any issues you may have.

For Help Call: 1-800-860-4050

PREPARING A SEED BED

See Figure 11.

WARNING:

To prevent accidental starting that could cause serious personal injury, stop the engine and disconnect the spark plug before installing or removing the wheel/drag bar assembly or when installing or removing tines.

The cultivator can be used to break up garden soil and prepare a seed bed for planting. Plan ahead to leave enough room between the seed rows to allow for machine cultivating after the plants have grown.

- With the wheel/drag bar assembly installed in position A as described on page 10, roll the machine to the work area.
- For general cultivating, remove or adjust the wheel/drag bar assembly using the guidelines in **ADJUSTING WHEEL/DAG BAR ASSEMBLY** section on page 10.
- The wheel/drag bar assembly has three installation positions to choose from. Based on the type of soil being cultivated and soil conditions at the time, the appropriate height of the wheel/drag bar assembly will vary. Adjust the wheel/drag bar assembly position using the guidelines in **ADJUSTING WHEEL/DAG BAR ASSEMBLY** section .

- Start the engine.
- Stand behind the unit with the tines on the ground and the work area clean and free of obstructions.
- Completely engage the throttle trigger to begin tine rotation.

NOTE: If the machine moves forward too quickly and wheels are in position B (see figure 15), push down on the handlebar to allow the drag bar to penetrate the soil and slow the forward motion of the unit. The rotating tines help to pull the machine forward, so use slower speeds and a shallow depth setting when learning to use the unit and when cultivating on hard, rough, or uneven ground.

- Always operate the unit at full throttle when cultivating.

NOTE: Several passes over the same path may be required to reach the desired depth. Do not try to dig too deeply in the first pass. If the machine jumps or bucks, allow the unit to move forward at a slightly faster rate or install wheel/drag bar assembly.

To dig more deeply, lift up on the handlebar. Apply downward pressure on the handlebar for more shallow cultivating.

If the machine stays and digs in one spot, try rocking the unit from side to side to start it moving forward again.

If the soil is very hard, water a few days before cultivating.

Avoid working the soil when soggy or wet. Wait a day or two after heavy rain for the ground to dry.

GENERAL CULTIVATING

See Figures 12.

Shallow cultivating less than 2 in. deep can be used to disrupt weeds and aerate soil, without injuring nearby plant roots. It should be done often so that weeds do not grow large and cause tangling in the tines of the unit.

The two outer tines can be removed from the unit to allow a more narrow cultivating width.

To remove the two outer tines:

- Disconnect the spark plug.
- Remove the hitch pins from the holes on the ends of the tine shaft.
- Remove the outside tines and felt washers from the tine shaft.

NOTE: Keep all removable parts in a secure place as they will be needed when converting back to the cultivating application.

- Place hitch pins in the holes that were uncovered when felt washers were removed.

NOTE: The unit will not operate properly if the tines are installed incorrectly. If you notice a problem with the cultivating operation of the unit, check for proper tine positioning.

OPERATION

USING THE CULTIVATOR FOR EDGING

See Figures 13 - 14.

The cultivator will edge along sidewalks, driveways, flowerbeds, curbs, and similar areas.

To install the edging tine:

- Remove all tines and felt washers from the shaft.
NOTE: Keep all removable parts in a secure place as they will be needed when converting back to the cultivating application.
- Place edging wheel on one side of the tine shaft.
- To secure the edging wheel, place hitch pin into the hole closest to the gear box.
NOTE: The edging wheel is designed to move along the shaft. It will not lock into a fixed position.
- Place the tine spacer on the empty side of the tine shaft.
- Place a felt washer on the tine shaft, then slide to rest against the tine spacer.
- Place the edging tine onto the the shaft so it rests snugly against the felt washer.
- To secure the edging tine place hitch pin into the hole at the end of the shaft.

To reinstall the cultivating tines:

- Remove edging tine, spacer, edging wheel and felt washer.
- Identify the cultivating tines.
NOTE: The tool has four tines for cultivating — two inner tines stamped B and C, and two outer tines stamped A and D. For correct operation of the unit, the tines must be installed in the correct orientation.

- Lean the unit back on its wheels so that the handlebar rests on the ground.
NOTE : The view of the gearbox for tine installation is from the front of the cultivator as shown in Figure 14.
- Place tine C on the tine shaft to the left of the gear box. The stamped side of the tine should face away from the gear box.
- Place tine B on the tine shaft to the right of the gear box. The stamped side of the tine should face away from the gear box.
- Place a felt washer on each side of the tine shaft, and slide to rest against the inner tines.
- Place the outer tine labeled D on the left side of the tine shaft. The stamped side should face in toward tine C.
- Place the outer tine labeled A on the right side of the tine shaft. The stamped side should face in toward tine B.
NOTE: When installed correctly, the angled edge of the tines should face the ground.
- To secure the tines to the tine shaft, insert the hitch pin into the holes located on either side of the tine shaft.
NOTE: The unit will not operate properly if the tines are installed incorrectly. If you notice a problem with the cultivating operation of the unit, check for proper tine positioning.

EDGING TIPS

- Cut at a steady pace. If the tine begins to bog down, you are edging too fast; slow your pace. Do not force the tine into ground.
- Light contact of the tine against the sidewalk edge, curb, etc., is acceptable and will not damage the cultivator.
- Best appearance is obtained when grass is dry. Avoid edging in wet soil or wet grass areas.

ADJUSTMENTS

WARNING:

To prevent accidental starting that could cause serious personal injury, always disconnect the spark plug wire when making adjustments.

ADJUSTING WHEEL/DRAW BAR ASSEMBLY POSITION

See Figures 15 - 17.

The wheel position of the unit is adjustable. Holes on the wheel/draw bar assembly support rod offer different heights to choose from in both the A, B, and C positions.

Switch the wheel/draw bar accessory position to achieve desired depth.

- Install the wheel/draw bar assembly in position A to transport the cultivator to and from the work area.
- The wheel/draw bar assembly may be installed in position B for shallow to moderate cultivating depth.
NOTE: When in position B, the draw bar may be used to help control the cultivator's speed and depth of operation. There are three depth adjustments available in position B.
- For general cultivating, remove the wheel/draw bar assembly (position C) or place it in position B to allow deep penetration of the tines into the cultivating surface.

MAINTENANCE

WARNING:

When servicing, use only identical replacement parts. Use of any other parts may create a hazard or cause product damage.

WARNING:

Always wear eye protection with side shields marked to comply with ANSI Z87.1, along with hearing protection. Failure to do so could result in objects being thrown into your eyes and other possible serious injuries.

WARNING:

Before inspecting, cleaning or servicing the machine, shut off engine, wait for all moving parts to stop, and disconnect spark plug wire and move it away from spark plug. Failure to follow these instructions can result in serious personal injury or property damage.

GENERAL MAINTENANCE

Before each use, inspect the entire product for damaged, missing, or loose parts such as screws, nuts, bolts, caps, etc. Tighten securely all fasteners and caps and do not operate this product until all missing or damaged parts are replaced. Please call 1-800-860-4050 or contact an authorized service center for assistance.

Avoid using solvents when cleaning plastic parts. Most plastics are susceptible to damage from various types of commercial solvents and may be damaged by their use. Use clean cloths to remove dirt, dust, lubricant, grease, etc.

WARNING:

Do not at any time let brake fluids, gasoline, petroleum-based products, penetrating lubricants, etc., come in contact with plastic parts. Chemicals can damage, weaken or destroy plastic which may result in serious personal injury.

Only the parts shown on the parts list are intended to be repaired or replaced by the customer. All other parts should be replaced at an Authorized Service Center.

CLEANING THE AIR FILTER

See Figure 18.

Clean the air filter as indicated by the maintenance schedule.

To clean the air filter:

- Depress the latch located below the air filter cover. Then, lift the cover away from the locking tabs and remove it from the unit.
- Remove the air filter.
- Rinse filter with clean water.
- Gently squeeze filter until excess water is removed.

- Apply a light coat of engine lubricant to the filter, then squeeze it out.

- Reinstall the air filter.

NOTE: Make sure the filter is seated properly inside the cover. Installing the filter incorrectly will allow dirt to enter the engine, causing rapid engine wear.

- Reinstall the air filter cover making sure that the locking tabs on the unit and the holes in the air filter cover are aligned.

- To secure, press against the air filter cover until the latch below the cover snaps in place.

NOTE: For best performance, the air filter should be replaced once each year.

FUEL CAP

WARNING:

Check for fuel leaks. A leaking fuel cap is a fire hazard and must be replaced with an original manufacturer's replacement cap immediately. If you find any leaks, correct the problem before using the product. Failure to do so could result in a fire that could cause serious personal injury.

The fuel cap contains a non-serviceable filter and a check valve. A clogged fuel filter will cause poor engine performance. If performance improves when the fuel cap is loosened, check valve may be faulty or filter clogged. Replace fuel cap if required.

REPLACING THE SPARK PLUG

See Figure 19.

This engine uses a Champion RY4C spark plug with .025 in. electrode gap. Use an exact replacement and replace annually.

- Remove the screw on top of the engine housing. This will allow the engine housing to uncover as shown in figure 18.
- Remove the spark plug wire.
- Loosen the spark plug by turning it counterclockwise with a socket.
- Remove the spark plug.
- Hand thread the new spark plug, turning it clockwise.
- Tighten with a socket and torque to 170 in. lb. minimum, 190 in. lb. maximum. Do not overtighten.
- Secure the engine housing back into place and return the screw. Ensure that the housing is stable.

CAUTION:

Be careful not to cross thread the spark plug. Cross threading will seriously damage the product.

REPLACING THE SPARK ARRESTOR

The spark arrestor must be cleaned or replaced every 50 hours or yearly to ensure proper performance of your product. Spark arrestors may be in different locations depending on the model purchased. Please contact your nearest service dealer for the location of the spark arrestor for your model.

MAINTENANCE

CHANGING ENGINE LUBRICANT

See Figure 20.

For best performance, engine lubricant should be changed after every 25 hours of operation.

To change the engine lubricant:

- Stop the engine and disconnect the spark plug wire. Allow the engine to cool completely before proceeding.
- Remove the oil fill cap/dipstick.
- Tip the unit on its side and allow lubricant to drain from the oil fill hole into an approved container.

NOTE: Drain the lubricant while the engine is still warm but not hot. Warm lubricant will drain quickly and more completely.

- Return the unit to an upright position and refill with lubricant following the instructions in the **Adding/Checking Engine Lubricant** section previously in this manual.

NOTE: Used lubricant should be disposed of at an approved disposal site. See your local retailer for more information.

CLEANING THE EXHAUST PORT AND MUFFLER

Depending on the type of fuel used, the type and amount of lubricant used, and/or your operating conditions, the exhaust port and muffler may become blocked with carbon deposits. If you notice a power loss with your gas powered tool, you may need to remove these deposits to restore performance. We highly recommend that only qualified service technicians perform this service.

STORING THE CULTIVATOR

The following steps should be taken before storing the cultivator for the season.

Fuel Tank:

- Drain the fuel tank completely into a container approved for gasoline. Even under ideal conditions, stored fuel containing ethanol or MTBE can start to go stale in 30 days. Stale fuel has a high gum content and can clog the carburetor and restrict fuel flow. The fuel tank should also be drained if the cultivator will not be used for more than two weeks.
- Restart the engine to make sure no fuel is left in the carburetor. Run the engine until it stops. This helps prevent gum deposits from forming inside the carburetor and possible engine damage.

Spark Plug:

- Disconnect spark plug wire and remove the spark plug. Pour a teaspoon of clean, air-cooled, 4-cycle lubricant through the spark-plug hole into the combustion chamber.
- Leaving the spark plug out, pull the starter cord two or three times to coat the inside of the cylinder wall.
- Inspect spark plug and clean or replace, as necessary.
- Reinstall the spark plug, but leave the spark plug wire disconnected.

Air Filter:

- Clean the air filter as previously described.

Cultivator Body:

- Clean dirt, grass, and other materials from the entire unit.
- Wipe the tines with lubricant or spray them with silicone lubricant to prevent rusting.
- Oil the throttle cable and all visible moving parts. Do not remove the engine cover.
- Order new parts to replace any that are badly worn or broken.
- Store in an upright position in a clean, dry place. Store with the handles in the extended position, or loosen handle knobs and fold handles down. **Do not allow throttle cable to become pinched when lowering the handlebar.**
- Properly dispose of any leftover fuel in compliance with Federal, state, and local laws.

ADJUSTING CAMSHAFT-TO-ROCKER ARM CLEARANCE

See Figures 21 - 23.

Inspect the camshaft-to-rocker arm clearance after every 25 hours of operation. This should be done in a clean, dust-free environment.

NOTE: This procedure requires partial disassembly of the engine. If you are unsure if you are qualified to perform this operation, take the unit to an authorized service center.

- Stop the engine. Allow the engine to cool completely before proceeding.
- Remove screws from the engine cover. Remove engine cover and set aside.
- Disconnect the spark plug wire.
- Using a Torx screwdriver, remove the screw from the rocker arm cover. Remove the cover and gasket and set aside.
- Position camshaft by pulling the recoil starter grip just until the deep hole in the camshaft gear is located at the 6 o'clock position as shown.
- Place the feeler gauge under each rocker arm and measure the gap. The gap should be between .006 in. (0.15 mm) and .008 in. (0.20 mm) for both rocker arms.
NOTE: Use a standard automotive feeler gauge. The .006 in. (0.15 mm) feeler gauge should slide between the rocker arm and valve stem with a slight amount of resistance but without binding. The 0.008 in. (0.20 mm) feeler gage should not slide between the rocker arms and the cam lobes — it should be held tight.
- If the valve clearance is not between .006 in. (0.15 mm) and .008 in. (0.20 mm), the clearance should be adjusted as follows:

MAINTENANCE

- While holding a wrench on the flats of the adjusting nut with one hand, loosen the retaining nut with a second wrench as shown. Take care not to loosen the stud.
- Rotate the adjusting nut until it touches the feeler gauge. Once the gap setting is correct, hold the wrench on the flats of the adjusting nut and re-tighten the retaining nut securely.
- Adjust the second rocker arm, if necessary.
- Replace the rocker arm cover and screw; tighten securely.
- Replace the top engine cover and screw; tighten securely.
- Unfold the handles into the upright position and secure by tightening handlebar knobs. **Do not allow throttle cable to become pinched when raising the handlebar.**
- Pull the starter cord three or four times to clean lubricant from the combustion chamber.
- Remove spark plug from the cylinder. Wipe lubricant from the spark plug and return it to the cylinder.
- Reconnect spark plug wire.
- Follow the steps on pages 8-9 to refuel and restart the cultivator.

HIGH ALTITUDE ENGINE OPERATION

Please have an authorized service center adjust this engine if it is to be run above 2000 feet. Failure to do so may result in poor engine performance, spark plug fouling, hard starting, and increased emissions. Carburetor adjustment by an authorized service center will improve performance and allow that this engine meets EPA (Environmental Protection Agency) and California ARB (Air Resources Board) emission standards. An engine adjusted for high altitudes can not be run at 2000 feet or lower. In doing so, the engine will overheat and cause serious engine damage. Please have an authorized service center restore high altitude modified engines to the original factory specification before operating below 2000 feet.

WARNING:

Ensure all engine cover and all engine parts are completely and properly reassembled before starting engine. Failure to correctly reassemble engine may result in serious injury or property damage.

PREPARING FOR USE AFTER STORAGE

The following steps should be taken before using the cultivator after it has been stored.

TROUBLESHOOTING

PROBLEM	CAUSE	REMEDY
Engine fails to start.	On/stop switch is in the off position. No fuel in tank. Spark plug shorted or fouled. Spark plug is broken (cracked porcelain or electrodes broken). Ignition lead wire shorted, broken, or disconnected from spark plug. Ignition inoperative.	Move switch to on. Fill tank. Replace spark plug. Replace spark plug. Replace lead wire or attach to spark plug. Contact authorized service center.
Engine hard to start.	Water in gasoline or stale fuel mixture. Obstructed fuel filter Engine is under or over choked. Weak spark at spark plug.	Drain entire system and refill with fresh fuel. Replace filter. Adjust choke as necessary. Contact authorized service center.
Engine lacks power.	Air filter clogged.	Clean or replace air filter.
Engine emits too much smoke	Too much oil in crankcase.	Drain lubricant and refill with correct amount of 20W-30 engine lubricant. See Adding/Checking Engine Lubricant in the <i>Operation</i> section of this manual.

TROUBLESHOOTING

PROBLEM	CAUSE	REMEDY
Engine rope cannot be pulled	Oil has entered the combustion chamber.	This is usually caused by storing the unit for an extended time with the engine in an upside-down position. Remove and clean the spark plug. Drain the oil out of the spark plug hole, then reinstall the spark plug.
Engine starts, runs, and accelerates but will not idle	Idle speed screw on carburetor needs adjustment.	Turn idle speed screw clockwise to increase idle speed. <i>See Figure 24.</i>

WARRANTY

EMISSIONS MAINTENANCE SCHEDULE AND WARRANTED PARTS LIST

Emissions Parts	Inspect Before Each Use	Clean Every 5 Hours	Replace Every 25 Hours or Yearly	Replace Every 50 Hours or Yearly
AIR FILTER ASSY				
INCLUDES:				
FILTER.....		X		
ENGINE LUBRICANT	X		X	
SPARK SCREEN				X
CARBURETOR ASSY				
INCLUDES:				
HEAT DAM.....	X			
GASKETS.....	X			
FUEL TANK ASSY				
INCLUDES:				
FUEL LINES.....	X			
FUEL CAP.....	X			
FUEL FILTER.....	X			
IGNITION ASSY				
INCLUDES:				
SPARK PLUG.....				X

ALL EMISSIONS-RELATED PARTS ARE WARRANTED FOR THREE YEARS, OR FOR THE PERIOD OF TIME PRIOR TO THE PARTS' FIRST SCHEDULED REPLACEMENT, WHICHEVER COMES FIRST.



CALL US FIRST

For any questions about operating or maintaining your product, call the Ryobi® Help Line!

Your product has been fully tested prior to shipment to ensure your complete satisfaction.

WARRANTY

LIMITED WARRANTY STATEMENT

Techtronic Industries North America, Inc., warrants to the original retail purchaser that this RYOBI® brand outdoor product is free from defect in material and workmanship and agrees to repair or replace, at Techtronic Industries North America, Inc.'s, discretion, any defective product free of charge within these time periods from the date of purchase.

- Three years if the product is used for personal, family or household use;
- 90 days, if used for any other purpose, such as commercial or rental.

This warranty extends to the original retail purchaser only and commences on the date of the original retail purchase.

Any part of this product found in the reasonable judgment of Techtronic Industries North America, Inc. to be defective in material or workmanship will be repaired or replaced without charge for parts and labor by an authorized service center for RYOBI® brand outdoor products (Authorized Ryobi Service Center).

The product, including any defective part, must be returned to an authorized Ryobi service center within the warranty period. The expense of delivering the product to the service center for warranty work and the expense of returning it back to the owner after repair or replacement will be paid by the owner. Techtronic Industries North America, Inc.'s, responsibility in respect to claims is limited to making the required repairs or replacements and no claim of breach of warranty shall be cause for cancellation or rescission of the contract of sale of any RYOBI® brand outdoor product. Proof of purchase will be required by the dealer to substantiate any warranty claim. All warranty work must be performed by an authorized service dealer.

This warranty is limited to ninety (90) days from the date of original retail purchase for any RYOBI® brand outdoor product that is used for rental or commercial purposes, or any other income-producing purpose.

This warranty does not cover any product that has been subject to misuse, neglect, negligence, or accident, or that has been operated in any way contrary to the operating instructions as specified in this operator's manual. This warranty does not apply to any damage to the product that is the result of improper maintenance or to any product that has been altered or modified. The warranty does not extend to repairs made necessary by normal wear or by the use of parts or accessories which are either incompatible with the RYOBI® brand outdoor product or adversely affect its operation, performance, or durability. In addition, this warranty does not cover:

- A. Tune-ups – Spark Plugs, Carburetor, Carburetor Adjustments, Ignition, Filters
- B. Wear items – Bump Knobs, Outer Spools, Cutting Lines, Inner Reels, Starter Pulleys, Starter Ropes, Drive Belts, Tines, Felt Washers, Hitch Pins, Mulching Blades, Blower Fans, Blower and Vacuum Tubes, Vacuum Bag and Straps, Guide Bars, Saw Chains

Techtronic Industries North America, Inc., reserves the right to change or improve the design of any RYOBI® brand outdoor product without assuming any obligation to modify any product previously manufactured.

ALL IMPLIED WARRANTIES ARE LIMITED IN DURATION TO THE STATED WARRANTY PERIOD. ACCORDINGLY, ANY SUCH IMPLIED WARRANTIES INCLUDING MERCHANTABILITY, FITNESS FOR A PARTICULAR PURPOSE, OR OTHERWISE, ARE DISCLAIMED IN THEIR ENTIRETY AFTER THE EXPIRATION OF THE APPROPRIATE THREE-YEAR, ONE-YEAR, OR NINETY-DAY WARRANTY PERIOD. TECHTRONIC INDUSTRIES NORTH AMERICA, INC.'S, OBLIGATION UNDER THIS WARRANTY IS STRICTLY AND EXCLUSIVELY LIMITED TO THE REPAIR OR REPLACEMENT OF DEFECTIVE PARTS AND TECHTRONIC INDUSTRIES NORTH AMERICA, INC., DOES NOT ASSUME OR AUTHORIZE ANYONE TO ASSUME FOR THEM ANY OTHER OBLIGATION. SOME STATES DO NOT ALLOW LIMITATIONS ON HOW LONG AN IMPLIED WARRANTY LASTS, SO THE ABOVE LIMITATION MAY NOT APPLY TO YOU. TECHTRONIC INDUSTRIES NORTH AMERICA, INC., ASSUMES NO RESPONSIBILITY FOR INCIDENTAL, CONSEQUENTIAL, OR OTHER DAMAGES INCLUDING, BUT NOT LIMITED TO, EXPENSE OF RETURNING THE PRODUCT TO AN AUTHORIZED RYOBI SERVICE CENTER AND EXPENSE OF DELIVERING IT BACK TO THE OWNER, MECHANIC'S TRAVEL TIME, TELEPHONE OR TELEGRAM CHARGES, RENTAL OF A LIKE PRODUCT DURING THE TIME WARRANTY SERVICE IS BEING PERFORMED, TRAVEL, LOSS OR DAMAGE TO PERSONAL PROPERTY, LOSS OF REVENUE, LOSS OF USE OF THE PRODUCT, LOSS OF TIME, OR INCONVENIENCE. SOME STATES DO NOT ALLOW THE EXCLUSION OR LIMITATION OF INCIDENTAL OR CONSEQUENTIAL DAMAGES, SO THE ABOVE LIMITATION OR EXCLUSION MAY NOT APPLY TO YOU.

This warranty gives you specific legal rights, and you may also have other rights which vary from state to state.

This warranty applies to all RYOBI® brand outdoor products manufactured by or for Techtronic Industries North America, Inc., and sold in the United States and Canada.

To locate your nearest Authorized Ryobi Service Center, dial 1-800-860-4050.

WARRANTY

THE FOLLOWING CALIFORNIA AIR RESOURCES BOARD (CARB) STATEMENT ONLY APPLIES TO MODEL NUMBERS REQUIRED TO MEET THE CARB REQUIREMENTS.

TECHTRONIC INDUSTRIES NORTH AMERICA, INC., LIMITED WARRANTY STATEMENT FOR FEDERAL AND CALIFORNIA EMISSION CONTROL SYSTEMS NON-ROAD AND SMALL OFF-ROAD ENGINES

YOUR WARRANTY RIGHTS AND OBLIGATIONS

The U.S. Environmental Protection Agency (EPA), the California Air Resources Board (CARB), and Techtronic Industries North America, Inc., are pleased to explain the Emissions Control System Warranty on your 2010 model year non-road or small off-road engine. In California, new equipment that uses small off-road engines must be designed, built, and equipped to meet the state's stringent anti-smog standards. In other states, new 2000 and later model year non-road engines must be designed, built, and equipped at the time of sale to meet the U.S. EPA regulations for small non-road engines. The non-road engine must be free from defects in materials and workmanship which cause it to fail to conform with U.S. EPA standards for the first three years of engine use from the date of sale to the ultimate purchaser. Techtronic Industries North America, Inc., must warrant the emission control system on your non-road or small off-road engine for the period of time listed above provided there has been no abuse, neglect, or improper maintenance of your non-road or small off-road engine.

Your emission control system may include parts such as the carburetor or fuel injection system, the ignition system, catalytic converters, fuel tanks, valves, filters, clamps, connectors, and other associated components. Also included may be hoses, belts and connectors, and other emission-related assemblies.

Where a warrantable condition exists, Techtronic Industries North America, Inc., will repair your non-road or small off-road engine at no cost to you, including diagnosis, parts, and labor performed at an authorized service center for RYOBI® brand outdoor products.

MANUFACTURER'S WARRANTY COVERAGE:

This product's emissions control system is warranted for three years. If any emission-related part on your engine is defective, the part will be repaired or replaced by Techtronic Industries North America, Inc., free of charge.

OWNER'S WARRANTY RESPONSIBILITIES

(a) As the non-road or small off-road engine owner, you are responsible for the performance of the required maintenance listed in your operator's manual. Techtronic Industries North America, Inc., recommends that you retain all receipts covering maintenance on your non-road or small off-road engine, but Techtronic Industries North America, Inc., cannot deny warranty solely for the lack of receipts or for your failure to ensure the performance of all scheduled maintenance. Any replacement part or service that is equivalent in performance and durability may be used in non-warranty maintenance or repairs, and shall not reduce the warranty obligations of Techtronic Industries North America, Inc.

(b) As the non-road or small off-road engine owner, you should be aware, however, that Techtronic Industries North America, Inc., may deny you warranty coverage if your non-road or small off-road engine or a part has failed due to abuse, neglect, improper maintenance, or unapproved modifications.

(c) You are responsible for presenting your non-road or small off-road engine to an authorized service dealer as soon as a problem exists. The warranty repairs should be completed in a reasonable amount of time, not to exceed 30 days.

If you have any questions regarding your warranty rights and responsibilities, you should contact a Techtronic Industries North America, Inc., Customer Representative at 1-800-860-4050.

DEFECT WARRANTY COVERAGE REQUIREMENTS:

(a) The warranty period begins on the date the engine or equipment is delivered to an ultimate purchaser.

(b) General Emissions Warranty Coverage. Techtronic Industries North America, Inc., warrants to the ultimate purchaser and each subsequent purchaser that your non-road or small off-road engine is designed, built, and equipped at the time of sale to conform with all applicable regulations adopted by the California Air Resources Board or the United States Environmental Protection Agency; and that it is free from defects in materials and workmanship which cause the engine to fail to conform with applicable regulations for a period of three years from the date the non-road or small off-road engine is purchased by the initial purchaser.

(c) The warranty on emissions-related parts will be interpreted as follows: Any warranted part that is not scheduled for replacement as required in the Emissions Maintenance Schedule and Warranty Parts List set forth below is warranted for three years. If any such part (including any part that is scheduled only for regular inspection) fails during the period of warranty coverage, it will be repaired or replaced at any RYOBI® Authorized Service Center at no charge. Any such part repaired or replaced under warranty will be warranted for the remaining warranty period. A statement to the effect of "repair or replace as necessary" would not reduce the period of warranty coverage. Any warranted part that is scheduled for replacement as required maintenance in the Emissions Maintenance Schedule and Warranty Parts List is warranted for the period of time prior to the first scheduled replacement point for that part. Any such part repaired or replaced under warranty is warranted for the remainder of the period prior to the first scheduled replacement point, and will be repaired or replaced at any RYOBI® Authorized Service Center for no charge until that replacement point is reached.

Techtronic Industries North America, Inc., shall remedy warranty defects at any authorized RYOBI® Authorized Service Center, including any distribution center that may be franchised to service the subject engines. Any diagnostic work done at a RYOBI® Authorized Service Center shall be free of charge to the owner if such work determines that a warranted part is defective. Any manufacturer-approved or equivalent replacement part may be used for any warranty maintenance or repairs on emission-related parts, and must be provided free of charge to the owner if the part is still under warranty. Techtronic Industries North America, Inc., is liable for damages to other engine components caused by the failure of a warranted part still under warranty.

Add-on or modified parts that are not exempted by the California Air Resource Board may not be used. The use of any non-exempted add-on or modified parts will be grounds for disallowing a warranty claim. Techtronic Industries North America, Inc., will not be liable to warrant failures of warranted parts caused by the use of a non-exempted add-on or modified part.

The California Air Resources Board's Emission Warranty Parts List specifically defines the emission-related warranted parts. (EPA's regulations do not include a parts list, but the EPA considers emission-related warranted parts to include all the parts listed below.) Techtronic Industries North America, Inc., will provide any documents that describe its warranty procedures or policies within five days upon request by the California Air Resources Board.

EMISSIONS PARTS LIST

Emissions parts vary from product to product. Your emissions control system warranty applies to any of the following components that may be included on your product:

- (1) Fuel Metering System
 - (i) Carburetor and internal parts (and/or pressure regulator or fuel injection system).
 - (ii) Air/fuel ratio feedback and control system.
 - (iii) Cold start enrichment system.
 - (iv) Fuel Tank.
- (2) Air Induction System
 - (i) Controlled hot air intake system.
 - (ii) Intake manifold.
 - (iii) Air filter.
- (3) Ignition System
 - (i) Spark Plugs.
 - (ii) Magneto or electronic ignition system.
 - (iii) Spark advance/retard system.
- (4) Exhaust Gas Recirculation (EGR) System
 - (i) EGR valve body and carburetor spacer, if applicable.
 - (ii) EGR rate feedback and control system.
- (5) Air Injection System
 - (i) Air pump or pulse valve.
 - (ii) Valves affecting distribution of flow.
 - (iii) Distribution manifold.
- (6) Catalyst or Thermal Reactor System
 - (i) Catalytic converter.
 - (ii) Thermal reactor.
 - (iii) Exhaust manifold.
- (7) Particulate Controls
 - (i) Traps, filters, precipitators, and any other device used to capture particulate emissions.
- (8) Miscellaneous Items Used in Above Systems
 - (i) Electronic controls.
 - (ii) Vacuum, temperature, and time sensitive valves and switches.
 - (iii) Hoses, belts, connectors, and assemblies.

Techtronic Industries North America, Inc., will furnish with each new engine written instructions for its maintenance and use by the owner.

The Emissions Compliance Period referred to on the Emissions Compliance label indicates the number of operating hours for which the engine has been shown to meet Federal emission requirements. Category C=50 hours, B=125 hours, and A=300 hours.

NOTES

RÈGLES DE SÉCURITÉ GÉNÉRALES

AVERTISSEMENT !

Lire et veiller à bien comprendre toutes les instructions.

Le non respect de toutes les instructions ci-dessous peut entraîner un choc électrique, un incendie et / ou des blessures graves.

CONSERVER CES INSTRUCTIONS

- Lire attentivement le manuel d'utilisation. Bien se familiariser avec le fonctionnement de toutes les commandes et l'utilisation correcte du matériel. Savoir arrêter l'appareil et débrayer rapidement l'entraînement.
- Ne jamais laisser un enfant utiliser l'équipement. Ne jamais laisser un adulte utiliser l'équipement sans lui avoir appris à utiliser l'équipement.
- Toujours porter une protection oculaire certifiée conforme à la norme ANSI Z87.1 ainsi qu'une protection auditive. Ne pas suivre cette directive pourrait entraîner des blessures graves, par exemple si l'appareil projetait des objets dans vos yeux.
- Ne pas forcer l'outil. Utiliser un outil approprié pour le travail. Un outil approprié exécutera le travail mieux et de façon moins dangereuse s'il fonctionne dans les limites prévues.
- Porter des pantalons longs, manches longues, des chaussures de travail et des gants épais. Ne pas porter de vêtements amples, shorts, bijoux quels qu'ils soient, sandales et ne pas travailler pieds nus
- Attacher les cheveux longs pour les maintenir au-dessus des épaules, afin qu'ils ne se prennent pas dans les pièces en mouvement.
- Garder les badauds, enfants et visiteurs à une distance de 15 m (50 pi).
- Garder toute personne à l'écart de la zone d'utilisation dégagée, particulièrement les petits enfants et les animaux domestiques.
- Ne jamais faire fonctionner le cultivateur sans avoir une bonne visibilité et lumière.
- Inspecter soigneusement la zone de travail et retirer tout corps étranger.
- Ne pas faire fonctionner l'équipement sans porter des vêtements appropriés. Éviter les vêtements ou bijoux lâches qui pourraient se coincer dans des pièces en mouvement de l'équipement ou de son moteur.
- Ne pas faire fonctionner l'équipement pied-nu ou en portant des sandales ou des chaussures légères similaires. Porter des chaussures de protection qui protègent vos pieds et améliorent votre équilibre sur des surfaces glissantes.
- Ne pas utiliser le cultivateur outil sous l'influence d'alcool, de drogues ou de médicaments.
- Ne pas mettre les mains ou les pieds à côté des dents ou en dessous de celles-ci.
- Se tenir bien campé et en équilibre. Ne pas travailler hors de portée de l'outil. Cette façon de travailler pourrait vous faire perdre l'équilibre.
- Faire preuve de prudence pour éviter de glisser ou tomber.
- Ne jamais lancer ou faire tourner le moteur dans un espace clos. Les gaz d'échappement peuvent être mortels.

- Ne jamais ramasser ni porter un équipement lorsque le moteur tourne.
- Garder l'équipement en bon état de marche.
- Vérifier le bon serrage de tous les écrous, boulons et vis à des intervalles fréquents pour assurer que l'équipement est en bon état de marche en toute sécurité.
- Ne jamais remiser l'équipement avec du carburant dans le réservoir de carburant.
- Garder l'appareil dépourvu d'herbe, de feuilles ou de graisse pour réduire le risque d'incendie.
- Ne jamais oublier que l'opérateur ou l'utilisateur est responsable des accidents ou des dangers qui peuvent toucher d'autres personnes, leur propriété et lui-même.
- Ne jamais tenter d'apporter des ajustements pendant que le moteur fonctionne (sauf indication contraire de la part du fabricant).
- Faire preuve d'une extrême prudence lors d'une utilisation dans des allées, des chemins ou des routes. Demeurer alerte pour détecter des dangers cachés ou pour observer la circulation. Ne pas transporter de passagers.
- Si l'appareil commence à vibrer anormalement, arrêter le moteur et déterminer immédiatement la cause. La vibration est généralement un signe de problème.
- Prendre toutes les précautions possibles lorsque l'appareil est laissé sans surveillance. Couper le moteur et vérifier que toutes les pièces en mouvement sont arrêtées. Déconnecter le fil de bougie et garder le fil à l'écart de la bougie afin d'empêcher un démarrage.
- Ne jamais faire fonctionner l'appareil sans dispositif de sécurité ou plaques appropriés, ou d'autres dispositifs de protection en place.
- Faire preuve de prudence lorsque vous cultivez sur un sol résistant. Les dents peuvent mordre dans le sol et propulser le cultivateur vers l'avant. Si une telle situation survient, lâcher les guidons et ne pas retenir l'appareil.
- Ne pas changer les réglages du régulateur de vitesse du moteur ou ne pas faire surchauffer le moteur.
- Ne jamais entreposer l'appareil si de l'essence se trouve dans le réservoir, à l'intérieur d'un bâtiment où des sources d'inflammation sont présentes, comme de l'eau bouillante et des appareils de chauffage, des sècheuses et autres. Permettre au moteur de refroidir avant d'entreposer l'appareil.
- Consulter toujours le manuel d'installation pour obtenir des renseignements importants sur le stockage du cultivateur durant une période prolongée.
- Suivre les recommandations du fabricant pour un chargement, un déchargement, un transport et un entreposage sécuritaires de l'appareil.

DÉPANNAGE

- Avant de nettoyer, réparer ou inspecter, couper le moteur et vérifier que toutes les pièces en mouvement sont arrêtées. Déconnecter le fil de bougie et garder le fil à l'écart de la bougie afin d'empêcher un démarrage.

RÈGLES DE SÉCURITÉ GÉNÉRALES

- Le dépannage du cultivateur doit exclusivement être confié à un personnel qualifié. Les réparations ou entretiens par des personnes non qualifiées peuvent entraîner des blessures ou dommages à l'outil.
- Utiliser exclusivement des pièces identiques à celles d'origine pour les réparations du cultivateur. L'usage de pièces non autorisées peut poser des risques de blessures graves de l'utilisateur ou d'endommagement de l'outil.

RÈGLES DE SÉCURITÉ PARTICULIÈRES

- Ne pas utiliser à proximité de conduites, tuyaux, lignes téléphoniques ou câbles électriques souterrains. En cas de doute, contacter la compagnie d'électricité, de gaz, d'eau ou de téléphone pour identifier les services souterrains.
- Si l'appareil frappe un corps étranger, couper le moteur, déconnecter la bougie, inspecter complètement l'équipement et réparer le dommage éventuel avant de redémarrer l'équipement et de le faire fonctionner.
- Ne jamais sortir de la position de fonctionnement lorsque le moteur tourne.
- Couper le moteur et débrancher la bougie avant d'éliminer les obstructions des dents et lors de réparations, réglages ou inspections.
- Ne pas surcharger la capacité de l'équipement en travaillant trop en profondeur dans une seule passe ou à une vitesse trop élevée.
- Rester vigilant. Concentré sur la tâche à accomplir. Faire preuve de bon sens. Ne pas utiliser l'outil en état de fatigue, malade ou vexé.
- Être conscient que l'équipement peut rebondir inopinément vers le haut ou sauter en avant si les dents cognent des obstacles enterrés tels que des grosses pierres, racines ou souches.
- Ne pas utiliser d'outils ou accessoires non recommandés pour cet outil.
- Ne jamais faire fonctionner l'équipement sur une pente.
- Faire preuve de la plus extrême prudence lors de la traction de l'équipement vers soi.
- Démarrer soigneusement le moteur selon les instructions depuis une position normale de fonctionnement, en gardant les pieds à l'écart des dents. Ne pas forcer l'outil. Il sera plus efficace et présentera moins de risques de blessures s'il est utilisé dans les limites de ses spécifications.
- Lorsqu'il n'est pas utilisé, l'outil doit être rangé à l'intérieur dans un endroit sec et sous verrou, hors de la portée des enfants.
- Entretenir soigneusement les outils. Garder les dents de l'outil propres pour un meilleur rendement et pour réduire les risques de blessures. Suivre les instructions de lubrification et de changement d'accessoires. Vérifier régulièrement le cordon d'alimentation de l'outil pour y déceler tout dommage. Le cas échéant, remplacer le cordon du lanceur. Garder l'outil sec, propre et exempt d'lubrifiant ou de graisse.
- Vérifier l'état des pièces. Avant d'utiliser l'outil de nouveau, examiner soigneusement les pièces et dispositifs de protection qui semblent endommagés afin de déterminer s'ils fonctionnent correctement et s'ils remplissent les fonctions prévues. Vérifier l'alignement des pièces mobiles, s'assurer qu'aucune pièce n'est bloquée ni brisée, vérifier le montage




de chaque pièce et s'assurer qu'aucun autre problème ne risque d'affecter le bon fonctionnement de l'outil. Toute protection ou pièce endommagée doit être correctement réparée ou remplacée dans un centre de réparation agréé, sauf indication contraire dans ce manuel.

RAVITAILLEMENT EN CARBURANT








- Le carburant est extrêmement inflammable. Lors de l'utilisation, prendre les précautions nécessaires pour réduire le risque de blessures graves.
- Conserver le carburant dans une zone froide bien ventilée à l'écart d'étincelles et / ou de matériels produisant des flammes.
- Conserver le carburant dans des jerrycans spécialement conçus à cet effet.
- Toujours faire le plein à l'extérieur et ne pas fumer pendant cette opération.
- Faire l'appoint de carburant avant de lancer le moteur. Ne jamais retirer le bouchon du réservoir de carburant ni faire l'appoint pendant que le moteur tourne ou est chaud.
- Ne pas fumer pendant la manipulation du carburant.
- Desserrer le bouchon du réservoir lentement pour relâcher la pression et éviter que le carburant s'échappe.
- Une fois le réservoir plein, remettre le bouchon en place et le serrer fermement.
- Essuyer tout le carburant éventuellement répandu. S'éloigner de 9 m (30 pi) du point d'approvisionnement avant de lancer le moteur.
- N'essayer en aucun cas de brûler le carburant répandu.
- Manipuler le carburant avec précaution pour éviter les risques d'incendies et de brûlures. Le carburant est extrêmement inflammable.
- Si du carburant est répandu, ne pas essayer de lancer le moteur, mais éloigner la machine et éviter de créer une source d'inflammation jusqu'à ce que les vapeurs de carburant se soient dissipées.
- Remettre en place les bouchons de jerrycan et de réservoir de carburant et les serrer fermement.
- Vider le réservoir de carburant dans un contenant approuvé pour l'essence et empêcher l'unité de bouger avant de le transporter dans un véhicule.
- Lors de la vidange du réservoir de carburant, utiliser un bidon ou jerrycan approuvé pour la conservation de carburant et procéder dans un endroit bien aéré.
- Poser la machine sur un sol nu, arrêter le moteur et le laisser refroidir avant de faire le plein.
- Conserver ces instructions. Les consulter fréquemment et les utiliser pour instruire les autres utilisateurs éventuels. Si cet outil est prêté, il doit être accompagné de ces instructions.

SYMBOLES

Les termes de mise en garde suivants et leur signification ont pour but d'expliquer le degré de risques associé à l'utilisation de ce produit.

SYMBOLE	SIGNAL	SIGNIFICATION
	DANGER :	Indique une situation extrêmement dangereuse qui, si elle n'est pas évitée, aura pour conséquences des blessures graves ou mortelles.
	AVERTISSEMENT :	Indique une situation potentiellement dangereuse qui, si elle n'est pas évitée, pourrait avoir pour conséquences des blessures graves ou mortelles.
	ATTENTION :	Indique une situation potentiellement dangereuse qui, si elle n'est pas évitée, pourrait avoir pour conséquences des blessures légères ou de gravité modérée.
	ATTENTION :	(Sans symbole d'alerte de sécurité) Indique une situation pouvant entraîner des dommages matériels.

Certains des symboles ci-dessous peuvent être présents sur le produit. Veiller à les étudier et à apprendre leur signification. Une interprétation correcte de ces symboles permettra d'utiliser le produit plus efficacement et de réduire les risques.

SYMBOL	NAME	EXPLANATION
	Symbole d'alerte de sécurité	Indique un risque de blessure potentiel.
	Lire le manuel d'utilisation	Pour réduire les risques de blessures, l'utilisateur doit lire et veiller à bien comprendre le manuel d'utilisation avant d'utiliser ce produit.
	Protection oculaire et auditive	Tojours porter une protection oculaire avec écrans latéraux certifiée conforme à la norme ANSI Z87, ainsi qu'une protection auditive.
	Ne laisser personne s'approcher	Garder les badauds à une distance de 15 m (50 pi) minimum.
	Risque de coupure	Garder les mains et les pieds loin des dents en rotation.
	Risque de coupure	Garder les mains et les pieds loin des dents en rotation.
	Essence et lubrifiant	Utiliser de l'essence sans plomb pour automobiles, avec un indice d'octane de 87 [(R + M)/2] ou plus.

CARACTÉRISTIQUES

FICHE TECHNIQUE

Cylindrée de moteur	30 cc
Rendement-moteur	1 HP
Volume de lubrifiant moteur	65 ml (2,2 oz)

APPRENDRE À CONNAÎTRE LE CULTIVATEUR

Voir la figure 1.

L'utilisation sûre de ce produit exige une compréhension des renseignements figurant sur l'outil et contenus dans le manuel d'utilisation, ainsi qu'une bonne connaissance du projet entrepris. Avant d'utiliser ce produit, se familiariser avec toutes ses caractéristiques et règles de sécurité.

COMMUTATEUR MARCHE/ARRÊT

Le commutateur marche/arrêt commande le système d'allumage. Le commutateur doit être dans la position de marche (I) pour que le moteur démarre et tourne. Pour couper le moteur, positionner le commutateur dans la position d'arrêt (O).

POIRE D'AMORÇAGE

La poire d'amorçage pompe le carburant du réservoir de carburant au carburateur. Ceci est nécessaire uniquement lors du démarrage d'un moteur froid ou après avoir ravitaillé en carburant un moteur qui n'a plus de carburant

POIGNÉE DU LANCEUR ET CORDE

Le poignée du lanceur et corde permet de démarrer le moteur.

GÂCHETTE D'ACCÉLÉRATEUR

Le gâchette d'accélérateur contrôle la vitesse de rotation des lames. Engager complètement le gâchette d'accélérateur pendant l'utilisation du cultivateur.

ASSEMBLAGE

DÉBALLAGE

Ce produit doit être assemblé.

- Avec précaution, sortir le produit et les accessoires de la boîte. S'assurer que toutes les pièces figurant sur la liste de contrôle sont incluses.

AVERTISSEMENT :

Ne pas utiliser le produit si, en le déballant, vous constatez que des éléments figurant dans la liste d'expédition sont déjà assemblés. Certaines pièces figurant sur cette liste n'ont pas été assemblées par le fabricant et exigent une installation. Le fait d'utiliser un produit qui a été assemblé de façon inadéquate peut entraîner des blessures.

- Examiner soigneusement le produit pour s'assurer que rien n'a été brisé ou endommagé en cours de transport.
- Ne pas jeter les matériaux d'emballage avant d'avoir soigneusement examiné le produit et avoir vérifié qu'il fonctionne correctement.
- Si des pièces sont manquantes ou endommagées, appeler le 1-800-860-4050.

LISTE DE CONTRÔLE D'EXPÉDITION

Cultivateur
Lubrifiant quatre temps
Boulons (2)
Dents de coupe-bordures
Espaceur de dents de coupe-bordures
Roulette de dents de coupe-bordures

Poignée avant

Bouton du guidon (2)

Guidon supérieur

L'ensemble roues/guide de profondeur

Bouton de réglage de roues/guide de profondeur

Manuel d'utilisation

AVERTISSEMENT :

Si des pièces manquent ou sont endommagées, ne pas utiliser ce produit avant qu'elles aient été installées. L'utilisation sûre de ce produit avec les pièces manquantes ou endommagées pourrait entraîner des blessures graves.

AVERTISSEMENT :

Ne pas essayer de modifier ce produit ou de créer des accessoires non recommandés pour le produit. De telles altérations ou modifications sont considérées comme un usage abusif et peuvent créer des conditions dangereuses, risquant d'entraîner des blessures graves.

AVERTISSEMENT :

Ne pas brancher sur le secteur avant d'avoir terminé l'assemblage. Le non respect de cet avertissement peut causer un démarrage accidentel, entraînant des blessures graves.

ASSEMBLAGE

INSTALLATION DE LA POIGNÉE AVANT

Voir la figure 2.

- Placer l'ensemble poignée tel qu'illustré avec l'étiquette orientée vers le haut.
- Appuyer sur les boutons se trouvant sur la poignée et les insérer dans le cadre. Enfoncer la poignée jusqu'à ce que les boutons s'enclenchent en place.

INSTALLATION DE POIGNÉE DU GUIDON

Voir les figures 3.

- Localiser les boutons du guidon et boulons.
- Placer le guidon supérieur sur le guidon inférieur. S'assurer que le câble d'accélérateur et que la gâchette d'accélérateur sont situés du côté droit, tel qu'indiqué.
NOTE : Attention de ne pas coincer le câble d'accélérateur au moment d'installer le guidon.
- Aligner les trous dans le pince avec les trous dans le guidon supérieur et les trous dans le guidon inférieur.
- Insérer boulon comme illustré la figure 3.
- Visser le bouton du guidon sur le boulon et le serrer solidement. Répéter l'opération de l'autre côté.

INSTALLATION DE L'ENSEMBLE ROUES/ GUIDE DE PROFONDEUR

Voir les figures 4 - 5.

Utiliser l'ensemble roues/guide de profondeur pour transporter l'unité vers le lieu de travail ou en revenir, ou pour la déplacer pendant le labourage.

Pour installation :

- Localiser le bouton de réglage de roues/guide de profondeur.
NOTE : Pour installer le guide de profondeur vers le haut, consulter la figure 4; pour l'installer vers le bas, consulter la figure 5.
- Insérer la tige de support de l'ensemble de roues dans l'ouverture sous le bouton de réglage. Pour positionner les roues en position élevée, insérer la tige dans le premier trou. Pour une position de roue inférieure, insérer la tige dans le deuxième trou.
- Insérer le bouton de réglage de roues/guide de profondeur. Tourner le bouton dans le sens horaire, ce qui bloque l'ensemble de roues en place.

UTILISATION

AVERTISSEMENT :

Ne pas laisser la familiarité avec le produit faire oublier la prudence. Ne pas oublier qu'une fraction de seconde d'inattention peut entraîner des blessures graves.

AVERTISSEMENT :

Toujours porter une protection oculaire avec écrans latéraux certifiée conforme à la norme ANSI Z87, ainsi qu'une protection auditive. Si cette précaution n'est pas prise, des objets peuvent être projetés dans les yeux et causer des lésions graves.

AVERTISSEMENT :

Ne pas utiliser d'outils ou accessoires non recommandés pour cet outil. L'utilisation de pièces et accessoires non recommandés peut entraîner des blessures graves.

AVERTISSEMENT :

Tenir les mains, pieds ou toute autre partie du corps ou des vêtements éloignés des dents en rotation ou de toute autre pièce en mouvement. Les dents commencent à tourner vers l'avant dès que la gâchette est appuyée. Les dents continuent de tourner jusqu'à ce que la gâchette soit relâchée. Le contact avec les dents peut causer des blessures graves.

ATTENTION :

Une tentative de démarrage du moteur avant le remplissage en lubrifiant correct entraîne une panne de l'équipement.

AJOUT/VÉRIFICATION DE LUBRIFIANT

Voir la figure 6.

Le lubrifiant moteur a une influence majeure sur la performance du moteur et la durée de service. Cette unité est expédiée avec une bouteille d'huile 20W50 pour faciliter le rodage du moteur. Pour obtenir un rendement optimal en cours de fonctionnement, il est recommandé de continuer d'utiliser de l'huile pour moteur 20W50. Toutefois, ce produit est également compatible avec les huiles SAE 30, 10W30 ou 10W40. Toujours utiliser un lubrifiant moteur à 4 temps conforme ou supérieure aux exigences de service SJ API. Vérifier le niveau d'huile avant chaque utilisation.

NOTE : Des lubrifiants moteur 2 temps non détergents endommageront le moteur et ne doivent pas être utilisés.

Pour ajouter de l'huile à moteur :

- Retirer le bouchon et le joint d'étanchéité se trouvant sur la bouteille d'huile fournie.
- Dévisser le capuchon d'huile/la jauge et les retirer.
- L'entonnoir d'utilisation, verser tout le contenu de la bouteille d'huile à moteur dans l'orifice de remplissage de l'huile.
- Remettre en place le bouchon/jauge d'huile et fermer de façon étanche.

UTILISATION

Pour vérifier le niveau du lubrifiant moteur :

- Mettre le cultivateur en position verticale en ayant installé les roues au préalable pour plus de stabilité
- Essuyer la jauge et l'insérer de nouveau dans le trou sans visser.
- Retirer une nouvelle fois la jauge et vérifier le niveau de lubrifiant. Le niveau de lubrifiant doit se trouver dans la zone hachurée de la jauge.
- Si le niveau est bas, ajouter de le lubrifiant moteur jusqu'à ce que le niveau atteigne la portion supérieure de la zone hachurée sur la jauge.
- Réinstaller et serrer le bouchon d'huile/la jauge.

ATTENTION :

Ne pas remplir à l'excès. Trop remplir le carter peut produire une fumée excessive, fuite d'huile et endommager le moteur.



AVERTISSEMENT :

L'essence et les vapeurs qu'elle dégage sont extrêmement inflammables et explosives. Pour éviter des blessures graves et des dommages matériels, manipuler avec précaution. Garder le produit à l'écart des sources d'inflammation et des flammes vives, l'utiliser uniquement à l'extérieur, ne pas fumer au moment de mélanger l'essence et l'huile, et essuyer rapidement tout carburant répandu.

APPROVISIONNEMENT EN CARBURANT

Voir la figure 7.

- Nettoyer le pourtour du bouchon de remplissage pour éviter la contamination du carburant.
- Desserrer le bouchon du réservoir de carburant lentement. Poser le bouchon sur une surface propre.
- Verser le mélange dans le réservoir avec précaution. Éviter de répandre du carburant.
- Avant de remettre le bouchon en place, nettoyer et inspecter son joint.
- Remettre immédiatement le bouchon en place et le serrer à la main. Essuyer tout carburant répandu.

NOTE : Il est normal qu'un moteur neuf dégage de la fumée après la première utilisation.



AVERTISSEMENT :

Toujours arrêter le moteur avant l'approvisionnement en carburant. Ne jamais remplir le réservoir d'une machine lorsque le moteur tourne ou est chaud. S'éloigner d'au moins 9 m (30 pi) du point d'approvisionnement avant de lancer le moteur. Ne pas fumer et éviter les flammes nues ! Le non-respect de ces instructions pourrait entraîner des blessures graves

CARBURANTS OXYGÉNÉS

NE PAS UTILISER LE CARBURANT E85. LE NON-RESPECT DE CETTE DIRECTIVE ENTRAÎNE L'ANNULATION DE LA GARANTIE.

NOTE : Les dommages au circuit de carburant et les problèmes de performance résultant de l'utilisation de carburant oxygéné contenant des pourcentages de composants oxygénés supérieurs à ceux indiqués au dessous **ne sont pas couverts par la garantie.**

Ethanol. L'essence contenant jusqu'à 10 % d'éthanol par volume (généralement désignée E10) est acceptable. **L'essence désignée E85 ne l'est pas.**

APPLICATION

Avant chaque utilisation, inspecter au complet le produit afin de s'assurer qu'aucune pièce (vis, écrous, boulons, chapeaux, etc.) n'est endommagée, manquante ou desserrée. Serrer solidement toutes les pièces de fixation et les chapeaux et ne pas utiliser le produit tant que toutes les pièces manquantes ou endommagées n'ont pas été remplacées. Veuillez composer le 1-800-860-4050 ou communiquer avec un centre de réparations agréé pour obtenir de l'aide.

Ce produit peut être utilisé pour les applications ci-dessous :

- Briser la terre du jardin pour préparer le lit de semence
- Sarclage peu profond pour retirer les mauvaises herbes
- Tailler rapidement les bordures d'allées, de trottoirs, massifs de fleurs et autres endroits similaires.

MISE EN MARCHÉ ET ARRÊT DU CULTIVATEUR

Voir la figure 8 - 11.

Pour démarrer un moteur froid ou qui a épuisé le carburant :

- Remplir le réservoir de carburant, au besoin. Toujours utiliser le type d'essence approprié.
- Positionner le commutateur marche/arrêt en position de **ON (I)**.

NOTE : Ne pas engager le gâchette d'accélérateur pendant le processus de démarrage.

- Appuyer lentement 10 fois sur la poire d'amorçage.
NOTE : Après la 7^e pression, on devrait apercevoir du carburant dans la poire d'amorçage. Sinon, continuer à presser sur l'amorceur jusqu'à voir du carburant dans la poire.
- Pencher l'unité vers l'arrière sur ses roues de façon à ce que le guidon soit appuyé sur le sol.
- Placer un pied sur le guidon et une main sur la poignée avant.
- Mettre le volet de départ en position d'étranglement **FULL CHOKE** (complètement ouvert).
- En plaçant la gâchette d'accélérateur à la position marche au ralenti, tirez brusquement sur la poignée du démarreur jusqu'à ce que le moteur tente de démarrer. Ne pas tirer le cordon plus de quatre (4) fois.

UTILISATION

- Mettre le volet de départ en position **HALF CHOKE** (demi étranglement).
- Tirer sur le cordon du lanceur jusqu'à ce que le moteur démarre. Ne pas tirer le cordon plus de six (6) fois.

NOTE : Si le moteur ne démarre pas, mettre le volet de départ sur **FULL CHOKE** (complètement ouvert) et répéter les étapes.

- Laisser le moteur tourner pendant 10 secondes et mettre le levier du volet de départ en position **RUN** (marche).
- Se déplacer vers l'arrière de l'unité et appuyer sur la gâchette d'accélérateur pour accélérer.

Démarrage d'un moteur chaud :

- Appuyer lentement 10 fois sur la poire d'amorçage.
- Mettre le levier du volet de départ en position **RUN** (marche).
- Tirer sur la poignée du démarreur jusqu'à ce que le moteur démarre. Ne pas presser la commande d'accélérateur pour faire démarrer d'un moteur chaud.

Pour arrêter :

- Pour arrêter le moteur, mettre le commutateur **STOP** dans la position d'arrêt «O».

EN CAS DE BESOIN D'ASSISTANCE DÉMARRAGE AVEC CE PRODUIT :

Ne pas le retourner au magasin de détail où il a été acheté. Pour toute question, appeler notre service après-vente.

Pour toute assistance, appeler le : 1-800-860-4050

PRÉPARATION DU LIT DE SEMIS

Voir la figure 11.



AVERTISSEMENT :

Pour empêcher un démarrage accidentel pouvant entraîner des blessures graves, arrêter le moteur et débrancher le fil de la bougie avant installation ou retrait l'assemblée de roue ou au moment d'installer ou de retirer les lames dentées.

Le cultivateur peut être utilisé pour travailler la terre à jardin et préparer un lit de semis. Bien planifier pour laisser assez de place entre les rangées de semence pour le travail de la terre par l'équipement une fois les plantes poussées.

- Une fois l'ensemble roues/guide de profondeur installé en position. Faire rouler l'équipement jusqu'à la zone de travail.
- Pour le sarclage général, retirer ou régler l'ensemble roues/guide de profondeur en suivant les directives de **RÉGLAGE DE L'ENSEMBLE ROUES/GUIDE**, voir la page 10.
- La l'ensemble roues/guide de profondeur peut être installée à deux positions différentes. La hauteur appropriée de la l'ensemble roues/guide de profondeur varie selon le type de terrain à sarcler et les conditions de la terre au moment du sarclage. Régler la position de l'ensemble roues/guide de profondeur en suivant les directives de **RÉGLAGE DE L'ENSEMBLE ROUES/GUIDE**.
- Démarrer le moteur.
- Se tenir derrière l'outil avec les roues de sarclage sur le sol et la zone de travail propre et dépourvue d'obstructions.
- Engager complètement la gâchette d'accélérateur pour commencer la rotation des dents.

NOTE : Si l'équipement avance trop rapidement et que les roues sont en position B avec la barre de recouvrement installée (voir la figure 15), appuyer sur le guidon pour laisser la barre de recouvrement pénétrer dans la terre et ralentir le mouvement en avant de l'équipement. Les dents en rotation permettent de tirer l'équipement en avant, donc choisir des vitesses inférieures et une profondeur faible lors de l'apprentissage de l'utilisation de l'équipement et lors du travail de terrain dur, accidenté ou irrégulier.

- Toujours utiliser le cultivateur à plein régime lors du travail du sol.

NOTE : Il peut s'avérer nécessaire de passer plusieurs fois sur le même chemin pour obtenir la profondeur désirée. Ne pas essayer de creuser trop profondément lors de la première passe. Si l'équipement saute ou fait une embardée, laisser l'équipement avancer légèrement plus vite ou installer l'accessoire d'ensemble de roues.

Pour creuser plus profondément, soulever le guidon. Appliquer une pression vers le bas sur le guidon pour cultiver moins profondément

Si l'équipement reste à creuser en un point, essayer de basculer l'équipement d'un côté sur l'autre pour le remettre en mouvement.

Si la terre est très dure, arroser plusieurs jours avant de travailler le sol.

Éviter de travailler la terre mouillée ou humide. Attendre un ou deux jours après une forte pluie que la terre sèche.

TRAVAIL GÉNÉRAL DU SOL

Voir la figure 12.

Gratter le sol sur moins de 51 mm (2 po) de profondeur permet de perturber les mauvaises herbes et d'aérer le sol sans endommager les racines de plantes avoisinantes. Cela doit être effectué souvent pour que les mauvaises herbes ne se développent pas et ne s'emmêlent dans les dents de l'équipement.

Les deux lames dentées extérieures peuvent être retirées de l'équipement pour permettre une largeur de travail du sol plus étroite.

Dépose des deux lames extérieures :

- Déconnecter le fil de bougie.
- Retirer les goupilles de sûreté des trous aux extrémités de l'arbre de lames.
- Retirer les lames dentées extérieures et les rondelles de feutre de l'arbre de lames.
- Positionner les goupilles de sûreté dans les trous exposés lors de la dépose des rondelles de feutre.

NOTE : L'équipement ne fonctionne pas correctement si les lames ne sont pas installées correctement. En cas de problème d'utilisation de l'équipement de travail du sol, vérifier le bon positionnement des lames.

INSTALLER LES BORDURES À DENTS

Voir la figure 13.

Cultivateur tailler rapidement les bordures d'allées, de trottoirs, massifs de fleurs et autres endroits similaires.

Pour installer les bordures à dents :

- Retirer toutes les dents et les rondelles de feutre de l'arbre.

NOTE : Garder toutes les pièces amovibles dans un endroit sûr, puisque celles-ci seront requises pour reconverter le produit à sa fonction de cultivateur d'origine.

UTILISATION

- Placer la roue-guide sur un des côtés de l'arbre des dents.
- Pour fixer solidement la roue-guide, placer la goupille d'attelage dans le trou le plus près de la boîte d'engrenages.
NOTE : La roue-guide est conçue pour se déplacer le long de l'arbre. Elle ne se verrouille pas dans une position fixe.
- Placer l'espaceur de dents du côté vide de l'arbre des dents.
- Placer une rondelle de feutre sur l'arbre des dents, puis le glisser contre l'espaceur de dents.
- Placer la dent de coupe-bordures sur l'arbre de façon à ce qu'elle s'appuie parfaitement contre la rondelle de feutre.
- Pour fixer solidement la dent de coupe-bordures, placer la goupille d'attelage dans le trou situé à l'extrémité de l'arbre.

Pour réinstaller les lames dentées du cultivateur :

- Retirer dents de coupe-bordures, espaceurs, guide de coupe-bordures, et rondelle en feutre.
- Repérer les lames dentées du cultivateur.
NOTE : L'outil comprend quatre groupes de dents pour le labourage – deux lames intérieures timbré B et C, et deux lames extérieures timbré A et D. Pour assurer le bon fonctionnement de l'équipement, les lames doivent être installées dans le bon sens.
- Basculer l'équipement en arrière sur ses roues pour que le guidon repose sur le sol.
NOTE : L'engrenage pour l'installation des dents est situé à l'avant du cultivateur, tel qu'illustré à la figure 14.
- Positionner la lame C sur l'arbre de lames sur la gauche de la boîte d'engrenages. Le côté marqué de la lame doit être opposé à la boîte d'engrenages.

- Positionner la lame B sur l'arbre de lames à la droite de la boîte d'engrenages. Le côté marqué de la lame doit être opposé à la boîte d'engrenages.
- Positionner une rondelle en feutre de chaque côté de l'arbre des lames et les glisser contre les lames intérieures.
- Positionner la lame extérieure étiquetée D sur le côté gauche de l'arbre de lames. Le côté marqué doit être face à la lame C.
- Positionner la lame extérieure étiquetée A sur le côté droit de l'arbre de lames. Le côté marqué doit être face à la lame B.
NOTE : Dans une installation correcte, le bord biseauté des lames dentées doit être face au sol.
- Pour bloquer les lames sur l'arbre de lames, insérer la goupille de sûreté dans les trous d'un côté ou de l'autre de l'arbre de lames.
NOTE: L'équipement ne fonctionne pas correctement si les lames ne sont pas installées correctement. En cas de problème au niveau du travail du sol effectué avec l'équipement, vérifier le bon positionnement des lames

PROFONDEUR AVIS

- Couper à une vitesse régulière. Si la lame se met à peiner, c'est que la vitesse de travail est trop rapide; il faut la réduire. Ne pas forcer la lame dans la terre.
- Un léger contact de la lame contre le bord du trottoir, le terre-plein, etc., est acceptable et n'abîmera pas le coupe-bordures.
- Le meilleur aspect est obtenu lorsque l'herbe est sèche. Éviter de travailler sur un sol humide ou de l'herbe mouillée.

RÉGLAGES

AVERTISSEMENT :

Pour empêcher un démarrage accidentel pouvant entraîner des blessures graves, arrêter le moteur et débrancher le fil de la bougie.

RÉGLAGE DE L'ENSEMBLE ROUES/GUIDE.

Voir la figure 14 - 16.

La position de roues de l'équipement est réglable. Les trous de la tige de support de roues permettent un choix de hauteurs différentes dans les positions A, B, et C.

Ajuster l'accessoire « roues/guide de profondeur » pour pouvoir labourer à la profondeur désirée.

- Installer l'accessoire d'ensemble de roues en position A pour transporter l'équipement jusqu'au lieu de travail.
- Il est possible d'installer l'ensemble « roues/guide de profondeur » à la position B pour régler la profondeur de labourage de peu profond à moyennement profond.
NOTE : Une fois réglé à la position B, le guide de profondeur peut être utilisé pour contrôler la vitesse et la profondeur du cultivateur. Trois réglages de la profondeur sont possibles lorsque le guide est réglé à la position B.
- Pour effectuer des applications générales de labourage, retirer l'ensemble « roues/guide de profondeur » (position C) ou le placer à la position B afin de permettre aux dents de pénétrer en profondeur dans la surface à labourer.

ENTRETIEN

AVERTISSEMENT :

Utiliser exclusivement des pièces d'origine pour les réparations. L'usage de toute autre pièce pourrait créer une situation dangereuse ou endommager le produit.

AVERTISSEMENT :

Tojours porter une protection oculaire avec écrans latéraux certifiée conforme à la norme ANSI Z87, ainsi qu'une protection auditive. Si cette précaution n'est pas prise, des objets peuvent être projetés dans les yeux et causer des lésions graves.

AVERTISSEMENT :

Avant d'inspecter, nettoyer ou entretenir l'outil, débrancher le cordon d'alimentation et attendre que toutes les pièces en mouvement soient arrêtées. Le nonrespect de ces instructions peut entraîner des blessures graves ou des dégâts matériels.

ENTRETIEN GÉNÉRAL

Avant chaque utilisation, inspecter au complet le produit afin de s'assurer qu'aucune pièce (vis, écrous, boulons, chapeaux, etc.) n'est endommagée, manquante ou desserrée. Serrer solidement toutes les pièces de fixation et les chapeaux et ne pas utiliser le produit tant que toutes les pièces manquantes ou endommagées n'ont pas été remplacées. Veuillez composer le 1-800-860-4050 ou communiquer avec un centre de réparations agréé pour obtenir de l'aide.

Éviter d'utiliser des solvants pour le nettoyage des pièces en plastique. La plupart des matières plastiques peuvent être endommagées par divers types de solvants du commerce. Utiliser un chiffon propre pour éliminer la saleté, la poussière, l'huile, la graisse, etc.

AVERTISSEMENT :

Ne jamais laisser de liquides tels que le fluide de freins, l'essence, les produits à base de pétrole, les huiles pénétrantes, etc., entrer en contact avec les pièces en plastique. Les produits chimiques peuvent endommager, affaiblir ou détruire le plastique, ce qui peut entraîner des blessures graves.

Seules les pièces figurant sur la liste de contrôle sont conçues pour être réparées ou remplacées par l'utilisateur. Toutes les autres pièces doivent être remplacées dans un centre de réparations agréé.

NETTOYAGE DU FILTRE À AIR

Voir la figure 17.

Nettoyer le filtre à air aux intervalles prescrits dans le programme d'entretien.

Nettoyage du filtre à air :

- Appuyer sur le loquet situé en dessous du couvercle du filtre à air. Puis, soulever le couvercle des ergots de verrouillage et le retirer de l'unité.

- Retirer le filtre à air.
 - Rincer le filtre avec de l'eau propre.
 - Presser légèrement sur le filtre jusqu'à ce que l'excédent d'eau soit retiré.
 - Appliquer une légère couche d'huile pour moteur sur l'élément en filtre, puis l'extraire en pressant l'élément en mousse.
 - Remettre le filtre à air en place.
- NOTE :** S'assurer que le filtre est correctement positionné dans le couvercle. Une installation incorrecte du filtre laisse la saleté entrer dans le moteur, entraînant une usure rapide du moteur.
- Réinstaller le couvercle du filtre à air en s'assurant que les ergots de verrouillage de l'unité et les trous du couvercle sont alignés.
 - Pour le fixer solidement, appuyer contre le couvercle du filtre à air jusqu'à ce que le loquet situé en dessous du couvercle s'enclenche en place.

NOTE : Pour obtenir un fonctionnement optimal, remplacer le filtre à air une fois par an.

BOUCHON DU RÉSERVOIR

AVERTISSEMENT :

S'assurer de l'absence de fuites de carburant. Un bouchon de carburant qui fuit pose un risque d'incendie et doit être remplacé immédiatement. Toutes les fuites doivent être éliminées avant d'utiliser le produit. Ne pas prendre cette précaution peut causer un incendie, entraînant des blessures graves.

Le bouchon du réservoir de carburant contient un filtre et un clapet antiretour non réparables. Un filtre à carburant colmaté nuit au bon fonctionnement du moteur. Si le fonctionnement du moteur s'améliore lorsque le bouchon est desserré, le clapet antiretour peut être défectueux ou le filtre colmaté. Si nécessaire, remplacer le bouchon de carburant.

REPLACEMENT DE LA BOUGIE

Voir la figure 18.

Le cultivateur est équipé d'une bougie Champion RY4C avec un écartement d'électrode de 0,63 mm (0,025 po). La bougie doit être remplacée annuellement par une bougie identique.

- Retirer la vis située sur le dessus du logement du moteur. Cela permettra de découvrir le logement du moteur, tel qu'illustré à la figure 18.
- Retirer le capuchon de la bougie.
- Desserrer la bougie en la tournant dans le sens inverse des aiguilles d'une montre, à l'aide d'une clé à douille.
- Retirer la bougie.
- Visser la nouvelle bougie à la main en la tournant dans le sens des aiguilles d'une montre.
- Serrer avec une clé à bougie, à un couple de 19,2 à 21,5 Nm (170 à 190 po. lb) maximum. Ne pas trop serrer.
- Remettre le logement du moteur en place et visser la vis. S'assurer que le logement est stable.

ATTENTION :

Veiller à ne pas fausser le filetage de la bougie. Ceci endommagerait sérieusement l'outil.

PARE-ÉTINCELLES

Le pare-étincelles doit être nettoyé ou remplacé toutes les 50 heures de fonctionnement ou tous les ans pour assurer le fonctionnement correct de l'outil. L'emplacement du pare-étincelles diffère suivant le modèle. Contacter le concessionnaire le plus proche pour connaître l'emplacement du pare-étincelles sur le modèle utilisé.

CHANGER LE LUBRIFIANT À MOTEUR

Voir la figure 19.

Pour obtenir un rendement optimal, changer le lubrifiant à moteur toutes les 25 heures de fonctionnement.

Pour changer le lubrifiant à moteur :

- Arrêter le moteur et débrancher le fil de la bougie. Laisser le moteur refroidir complètement.
- Retirer le bouchon-jauge du réservoir d'huile.
- Pencher l'unité sur le côté afin de verser le lubrifiant usée dans un contenant approuvé, en la drainant par l'orifice de remplissage.
NOTE : Vider le lubrifiant alors que le moteur est encore chaud, sans qu'il soit toutefois brûlant. Il est plus facile et plus rapide de purger complètement le lubrifiant lorsque celle-ci est chaude.
- Remettre l'unité en position droite et le remplir de lubrifiant en suivant les instructions décrites précédemment à la section intitulée **Ajout de lubrifiant à moteur et vérification** du présent manuel.

NOTE : Le lubrifiant usée doit être éliminée à un site de stockage approuvé. Consulter le détaillant local afin d'obtenir de plus amples renseignements.

NETTOYAGE DE L'ORIFICE D'ÉCHAPPEMENT ET DU SILENCIEUX

Suivant le type de carburant utilisé, le type et la quantité de lubrifiant et/ou les conditions de travail, l'orifice d'échappement et le silencieux peuvent se calaminer. Si un outil motorisé semble avoir perdu de la puissance, cette calamine doit être éliminée pour restaurer le fonctionnement normal. Il est vivement recommandé de confier ce travail à un technicien qualifié.

REMISAGE DU CULTIVATEUR

Les étapes suivantes doivent être effectuées avant de remiser le cultivateur pour la saison.

Réservoir de carburant :

- Vidanger complètement le réservoir de carburant dans un bidon ou jerrycan approuvé pour l'essence. Même dans des conditions idéales, du carburant stocké contenant de l'éthanol ou du MTBE peut s'évaporer en 30 jours. Du carburant éventé a une teneur en gomme élevée et peut colmater le carburateur et limiter le débit de carburant. Le réservoir de carburant doit aussi être vidangé si le cultivateur ne doit pas être utilisé pendant plus de deux semaines.
- Redémarrer le moteur pour s'assurer qu'aucun carburant ne reste dans le carburateur. Laisser le moteur tourner jusqu'à ce qu'il cale. Ceci permet d'éviter la formation de dépôts de gomme à l'intérieur du carburateur et des dommages possibles du moteur.

Bougie :

- Déconnecter le fil de bougie et retirer la bougie. Verser une cuiller à thé d'huile propre de moteur deux temps refroidi par air au travers du trou de bougie dans la chambre de combustion.

- La bougie étant déposée, tirer deux ou trois fois sur le cordon du lanceur pour enduire l'intérieur de la paroi de cylindre.
- Inspecter la bougie et la nettoyer ou la remplacer, le cas échéant.
- Réinstaller la bougie, mais laisser le fil de bougie déconnecté.

Filtre à air :

- Nettoyer le filtre à air comme décrit précédemment.

Corps du cultivateur :

- Retirer la poussière, l'herbe et les autres matériaux de l'équipement entier.
- Enduire les dents d'huile ou les arroser de graisse de silicone pour éviter la rouille.
- Lubrifier le câble d'accélérateur et toutes les pièces en mouvement visibles. Ne pas retirer le capot de moteur.
- Commander de nouvelles pièces pour remplacer celles qui sont très usées ou cassées.
- Remiser l'outil debout dans un endroit sec et propre. Remiser avec les poignées dans la position allongée ou desserrer les boutons de poignée et plier les poignées. **Ne pas laisser le câble d'accélérateur être pincé lors de l'abaissement du guidon.**
- Évacuer de manière appropriée tout le carburant restant en conformité avec les réglementations locales ou gouvernementales.

RÉGLAGE DE L'ARBRE À CAMES PAR RAPPORT AU CULBUTEUR – DÉGAGEMENT

Voir les figures 20 à 22.

Examiner le dégagement entre l'arbre à cames et le culbuteur à toutes les 25 heures d'utilisation. Cette opération doit être effectuée dans un environnement propre et exempt de poussière.

NOTE : Pour effectuer cette procédure, il est nécessaire de désassembler partiellement le moteur. Si vous n'êtes pas certain d'être suffisamment qualifié pour effectuer cette opération, confier l'unité à un centre de réparations agréé.

- Arrêter le moteur. Laisser le moteur refroidir complètement.
- Retirer la vis du couvercle moteur. Retirer le couvercle moteur et le mettre de côté.
- Débrancher le fil de la bougie.
- À l'aide d'un tournevis à pointe à six lobes, retirer la vis du cache-culasse. Retirer le couvercle et joint et le mettre à l'écart.
- Placer l'arbre à cames en tirant sur la poignée du lanceur jusqu'à ce que le trou profond de l'engrenage de l'arbre à cames soit placé à six heures.
- Placer la jauge d'épaisseur en-dessous de chaque culbuteur et mesurer l'espace. L'espace devrait être de 0,15 mm (0,006 po) à 0,20 mm (0,008 po) pour les deux culbuteurs.
NOTE : Utiliser une jauge d'épaisseur standard automotrice. La jauge de 0,15 mm (0,006 po) d'épaisseur doit glisser entre le culbuteur et la tige de la soupape avec une légère résistance sans qu'il y ait de coincement. La jauge d'épaisseur de 0,20 mm (0,008 po) ne doit pas glisser entre les culbuteurs et les bossages de came — elle doit être tenue solidement.
- Si le dégagement de la soupape ne mesure entre 0,15 mm (0,006 po) et 0,20 mm (0,008 po), il importe d'effectuer les ajustements suivants :

ENTRETIEN

- Tout en maintenant une clé sur les facettes de l'écrou de réglage à l'aide d'une seule main, desserrer l'écrou de blocage au moyen d'une deuxième clé, tel qu'illustré. Ne pas desserrer le goujon.
- Tourner l'écrou de réglage jusqu'à ce qu'il entre en contact avec la jauge d'épaisseur. Lorsque l'espace est adéquat, maintenir la clé sur les facettes de l'écrou de réglage et resserrer l'écrou de blocage solidement.
- Ajuster le deuxième culbuteur, au besoin.
- Replacer le cacheculasse et le visser; serrer solidement le tout (Serrer jusqu'à [7-10 in. lbs] 0,79 N.m - 1,13 N.m).
- Replacer le couvercle moteur supérieur et le visser; serrer solidement le tout.



AVERTISSEMENT :

S'assurer que le couvercle moteur et les autres pièces ont été réassemblés complètement et de façon appropriée avant de faire démarrer le moteur. Ne pas respecter cette directive peut entraîner des blessures et risque d'endommager le produit.

RÉGLAGE DU RALENTI

Voir la figure 23

Si l'accessoire de coupe tourne lorsque le moteur est au ralenti, tourner la vis de ralenti du moteur. Tourner la vis de ralenti vers la gauche pour réduire le régime et arrêter la rotation de l'accessoire de coupe. Si l'accessoire de coupe continue de tourner au ralenti après avoir effectué le réglage, confier au produit à un centre de réparations et ne plus l'utiliser tant que les réparations n'ont pas été effectuées.

PRÉPARATION À L'EMPLOI APRÈS LE REMISAGE

Les étapes suivantes doivent être effectuées avant d'utiliser le cultivateur après son remisage.

- Déplier les poignées en position verticale et bloquer en serrant les boutons de guidon. **Ne pas laisser le câble d'accélérateur se faire pincé lors du soulèvement du guidon.**
- Tirer trois ou quatre fois sur le cordon du lanceur pour retirer l'lubrifiant de la chambre de combustion.
- Retirer la bougie du cylindre. Essuyer l'lubrifiant de la bougie et la retourner dans le cylindre.
- Reconnecter le fil de bougie.
- Suivre les étapes des pages 8 à 9 pour refaire le plein et redémarrer le cultivateur.

FONCTIONNEMENT DU MOTEUR À HAUTE ALTITUDE

Confier le moteur à un centre de réparations agréé si celui-ci doit être utilisé à une altitude supérieure à 609,6 m (2 000 pi). Ne pas suivre cette directive peut nuire au bon fonctionnement du moteur, causer l'encrassement de la bougie d'allumage, nuire au démarrage et augmenter les émissions. En confiant l'ajustement des carburateurs à un centre de réparations agréé, vous améliorerez le rendement du moteur en plus de vous assurer qu'il respecte les normes de la U.S. Environmental Protection Agency (EPA) et du California Air Resources Board (CARB) en matière d'émissions. Un moteur qui a été réglé pour fonctionner à haute altitude ne peut être utilisé à 609,9 m (2 000 pi) ou moins. Ne pas respecter cette directive peut entraîner une surchauffe du moteur et l'endommager sérieusement. Veuillez confier tout moteur ayant subi des modifications en vue d'être utilisé à haute altitude à un centre de réparations agréé, qui se chargera de le reconfigurer selon les spécifications d'usine d'origine avant qu'il soit utilisé à une altitude inférieure à 609,6 m (2 000 pi).

DÉPANNAGE

PROBLÈME	CAUSE	SOLUTION
Le moteur ne démarre pas.	Le commutateur du moteur est en position d'arrêt. Pas de carburant dans le réservoir. Bougie court-circuité ou encrassée. La bougie est cassée (porcelaine fissurée ou électrodes cassées). Fil de bougie court-circuité, cassé ou déconnecté de la bougie. Allumage défaillant.	Mettre le commutateur en position de démarrage. Remplir le réservoir. Remplacer la bougie. Remplacer la bougie. Remplacer le fil de bougie ou le connecter à la bougie. Contacter un centre de service autorisé.
Moteur difficile à démarrer.	Présence d'eau dans l'essence ou mélange carburant éventé. Trop d'lubrifiant dans le mélange de carburant. Volet de départ trop ouvert ou pas assez. Étincelle faible à la bougie.	Vidanger le système entier et remplir avec du carburant frais. Vidanger et remplir avec le mélange approprié. Régler le volet de départ selon les besoins. Contacter un centre de service autorisé.
Moteur manque de pouvoir	Filtre à air encrassé	Nettoyer ou remplacer filtre à air

DÉPANNAGE

PROBLÈME	CAUSE	SOLUTION
Le moteur dégage trop de fumée	Une trop grande quantité d'huile se trouve dans le carter.	Vider l'huile et remplir le moteur avec la quantité appropriée d'huile à moteur 20W30. Consulter la section intitulée Ajout d'huile à moteur et vérification dans la section <i>Utilisation</i> du présent manuel.
Il est impossible de tirer sur la corde du moteur	De l'huile a pénétré dans la chambre de combustion.	Cette situation se produit généralement lorsqu'on entrepose l'unité à l'envers pendant une période prolongée. Retirer et nettoyer la bougie d'allumage. Vider l'huile du trou de la bougie, puis réinstaller la bougie.
Le moteur démarre, tourne et accélère correctement, mais ne tient pas le ralenti	La vis de ralenti du carburateur doit être réglée.	Tourner la vis de ralenti vers la droite, pour augmenter le régime de ralenti. Voir la figure 24.

GARANTIE

PROGRAMME D'ENTRETIEN DU SYSTÈME D'ÉMISSIONS ET LISTE DES PIÈCES GARANTIES

Pièces du système 50 d'émissions	Inspecter avant chaque utilisation	Nettoyer toutes le 5 heures de fonctionnement	Remplacer toutes les 25 heures ou chaque année	Nettoyer toutes les heures ou chaque année
-------------------------------------	---------------------------------------	--	---	---

FILTRE À AIR

INCLUT :

ÉLÉMENT FILTRANT X

HUILE DU MOTEUR..... XX

ÉCRAN PARE-ÉTINCELLESX

CARBURATEUR

INCLUT :

ÉCRAN THERMIQUE..... X

JOINTS X

RÉSERVOIR DE CARBURANT

INCLUT :

CONDUITES DE
CARBURANTX

BOUCHON DU RÉSERVOIR

DE CARBURANT X

FILTRE À CARBURANT X

ALLUMAGE

INCLUT :

BOUGIEX

TOUTES LES PIÈCES RELATIVES AU SYSTÈME DE CONTRÔLE DES ÉMISSIONS SONT GARANTIES TROIS ANS OU POUR LA PÉRIODE ANTÉRIEURE AU PREMIER REMPLACEMENT PRÉVU, SELON LA PREMIÈRE ÉCHÉANCE.



NOUS APPELER D'ABORD

Pour toute question concernant l'utilisation ou l'entretien utiliser ce produit, appeler le service d'assistance téléphonique Ryobi®!

Le soufflante/aspirateur a été entièrement testé avant expédition pour assurer la complète satisfaction de l'utilisateur.

GARANTIE

ÉNONCÉ DE LA GARANTIE LIMITÉE

Techtronic Industries North America, Inc., garantit à l'acheteur original que ce produit RYOBI® est exempt de tous vices de matériaux ou de fabrication et s'engage à réparer ou remplacer gratuitement, à son choix, tout produit s'avérant défectueux au cours des périodes indiquées ci-dessous, à compter de la date d'achat.

- Trois ans sur les produits utilisés par des particuliers ;
- 90 jours sur les produits utilisés à toutes autres fins, telles que les travaux commerciaux et la location.

Cette garantie n'est offerte qu'à l'acheteur original et entre en vigueur à la date de l'achat original.

Toute pièce de ce produit jugée, après évaluation raisonnable par Techtronic Industries North America, Inc., comme présentant des vices de matériaux ou de fabrication, sera réparée ou remplacée, sans facturation pour pièces ou main d'oeuvre par un centre de réparations agréé pour produits d'extérieur de marque RYOBI® (centre de réparations Ryobi agréé).

Le produit, y compris toutes les pièces défectueuses devront être retournés à un centre de réparations Ryobi agréé, avant expiration de la période de garantie. Les frais d'expédition au centre de réparations pour les travaux sous garantie et de retour au propriétaire du produit seront assumés par le propriétaire. En ce qui concerne les réclamations en garantie, la responsabilité Techtronic Industries North America, Inc., se limitera à la réparation ou au remplacement des produits défectueux et aucune revendication de rupture de garantie ne pourra causer l'annulation ou la résiliation du contrat de vente d'un produit d'extérieur RYOBI® quel qu'il soit. Une preuve d'achat sera exigée par le centre de réparation, afin de valider toute réclamation au titre de la garantie. Toutes les réparations sous garantie devront être effectuées par un centre de réparations agréé.

La garantie sur tout produit d'extérieur RYOBI® utilisé pour la location, des travaux commerciaux ou tout autre usage lucratif, sera limitée à quatre-vingt-dix (90) jours, à compter de la date d'achat au détail original.

Cette garantie ne couvre pas les produits ayant fait l'objet d'un usage abusif ou négligent, d'un manque d'entretien, ayant été impliqués dans un accident ou employé de façon contraire aux instructions du manuel d'utilisation. Cette garantie ne couvre ni les dommages aux produits résultant d'un manque d'entretien, ni les produits qui ont été altérés ou modifiés. La garantie exclut les réparations rendues nécessaires par l'usure normale ou l'utilisation de pièces et accessoires incompatibles avec le produit d'extérieur RYOBI® ou nuisibles à son bon fonctionnement, ses performances ou sa durabilité. En outre, cette garanti exclut :

A. Les réglages – Bougies, carburateur, réglages du carburateur, allumage, filtres

B. Les articles consommables – Boutons d'avance par choc, bobines externes, lignes de coupe, bobines internes, poulies et cordons de lanceur, courroies d'entraînement, dents, rondelles en feutre, axes d'attelage, lames de paillage, ventilateur de soufflante, tubes de soufflage et d'aspiration, sacs à débris, guides, chaînes de scie

Techtronic Industries North America, Inc., se réserve le droit d'apporter des modifications ou améliorations à tout produit extérieur RYOBI®, sans obligation de modifier les produits fabriqués antérieurement.

LA DURÉE DE TOUTES LES GARANTIES IMPLICITES NE SAURAIT EN AUCUN CAS EXCÉDER LA PÉRIODE DE GARANTIE DÉCLARÉE. PAR CONSÉQUENT, TOUTES LES GARANTIES IMPLICITES, Y COMPRIS LES GARANTIES DE VALEUR MARCHANDE OU D'ADÉQUATION À UN USAGE PARTICULIER OU AUTRES SERONT INVALIDÉES À L'EXPIRATION DE LA PÉRIODE DE GARANTIE APPROPRIÉE DE DEUX ANS, UN AN OU QUATRE-VINGT-DIX JOURS. LES OBLIGATIONS DE TECHTRONIC INDUSTRIES NORTH AMERICA, INC., DANS LE CADRE DE CETTE GARANTIE SE LIMITENT EXCLUSIVEMENT À LA RÉPARATION OU AU REMPLACEMENT DES PIÈCES DÉFECTUEUSES ET TECHTRONIC INDUSTRIES NORTH AMERICA, INC. N'ASSUME OU N'AUTORISE QUICONQUE À ASSUMER QUELQUE AUTRE OBLIGATION QUE CE SOIT. CERTAINS ÉTATS ET PROVINCES NE PERMETTANT PAS DE LIMITATION DE DURÉE DES GARANTIES IMPLICITES, LES RESTRICTIONS CI-DESSOUS PEUVENT NE PAS ÊTRE APPLICABLES. TECHTRONIC INDUSTRIES NORTH AMERICA, INC., DÉCLINE TOUTE RESPONSABILITÉ EN CE QUI CONCERNE LES DOMMAGES DIRECTS, INDIRECTS OU AUTRES, Y COMPRIS, MAIS SANS S'Y LIMITER, LES FRAIS DE RETOUR DE PRODUITS À UN CENTRE DE RÉPARATION RYOBI AGRÉÉ ET DE RENVOI AU PROPRIÉTAIRE, DE DÉPLACEMENT D'UN TECHNICIEN, DE TÉLÉPHONE OU TÉLÉGRAMME, DE LOCATION D'UN PRODUIT SIMILAIRE PENDANT LA DURÉE DES RÉPARATIONS SOUS GARANTIE, DE DÉPLACEMENT, DE PERTES OU DOMMAGES À DES BIENS PERSONNELS, DE MANQUE À GAGNER, DE PERTE D'USAGE DU PRODUIT, DE PERTE DE TEMPS OU DE DÉRANGEMENT. CERTAINS ÉTATS ET PROVINCES NE PERMETTANT L'EXCLUSION OU LA LIMITATION DES DOMMAGES DIRECTS OU INDIRECTS, LES RESTRICTIONS CI-DESSOUS PEUVENT NE PAS ÊTRE APPLICABLES.

Cette garantie donne au consommateur des droits spécifiques, et celui-ci peut bénéficier d'autres droits, qui varient selon les états ou provinces.

Cette garantie couvre tous les produits d'extérieur RYOBI® fabriqués par Techtronic Industries North America, Inc., vendus aux États-Unis et au Canada.

Pour obtenir l'adresse du centre de réparations Ryobi agréé le plus proche, appeler le 1-800-860-4050.

GARANTIE

L'ÉNONCÉ DE CALIFORNIA AIR RESOURCES BOARD (CARB) QUI SUIT, S'APPLIQUE SEULEMENT AUX NUMÉROS DE MODÈLES QUI DOIVENT SE CONFORMER AUX EXIGENCES DE CARB.

TECHTRONIC INDUSTRIES NORTH AMERICA, INC. DÉCLARATION DE GARANTIE LIMITÉE SYSTÈMES DE CONTRÔLE DES ÉMISSIONS POUR LES ÉTATS-UNIS ET LA CALIFORNIE. PETITS MOTEURS NON ROUTIERS ET HORS ROUTE

VOS DROITS ET RESPONSABILITÉS EN VERTU DE CETTE GARANTIE

L'U.S. Environmental Protection Agency (EPA), le California Air Resources Board (CARB) et Techtronic Industries North America, Inc. se font un plaisir de vous expliquer la garantie de conformité du système antipollution de votre petit moteur non routier ou hors-route, modèle 2010. En Californie, l'équipement neuf qui utilise les moteurs non routiers ou hors-route, doit être conçu, construit et équipé conformément aux strictes réglementations sur l'antipollution de cet État. Dans d'autres États, les moteurs non routiers modèles 2000 et ultérieurs doivent être conçus, construits et équipés au moment de la vente de façon à être conformes aux réglementations sur l'antipollution issues par l'EPA (agence de protection de l'environnement américaine) pour les petits moteurs non routiers. Le moteur non routier doit être exempt sur les vices de matériaux et de fabrication entraînant la non conformité aux réglementations de l'EPA, pendant les trois premières années d'utilisation, à compter de la date de vente à l'acheteur d'origine. Techtronic Industries North America, Inc. doit garantir le système de contrôle des émissions de vos petits moteurs non routiers ou hors-route pour la période indiquée ci-dessus, à condition que ceux-ci n'aient pas fait l'objet d'un usage abusif ou d'un manque d'entretien.

Votre système de contrôle des émissions peut inclure des pièces telles que le carburateur ou le système d'injection de carburant, le système d'allumage, les convertisseurs catalytiques, les réservoirs de carburant, les valves, les filtres, les fixations, les connecteurs et d'autres composants connexes. Il peut également inclure les tuyaux, les courroies, les connecteurs et d'autres articles relatifs au système d'émissions.

Dans l'éventualité d'un problème couvert par la garantie, Techtronic Industries North America, Inc. s'engage à réparer gratuitement votre moteur non routier ou hors-route, ce qui comprend le diagnostic, les pièces et la main-d'œuvre, dans un centre de réparations agréé pour les produits de marque RYOBI®.

DURÉE DE LA GARANTIE DU FABRICANT

Le système de contrôle d'émissions pour ce produit est garanti pour trois ans. Si une pièce relative au système de contrôle d'émissions de votre moteur est défectueuse, elle sera réparée ou remplacée sans frais par Techtronic Industries North America, Inc.

RESPONSABILITÉS DU PROPRIÉTAIRE DANS LE CADRE DE LA GARANTIE

(a) En tant que propriétaire de ce petit moteur non routier ou hors-route, vous êtes tenu d'effectuer les entretiens indiqués dans le manuel d'utilisation. Techtronic Industries North America, Inc. recommande de conserver tous les reçus relatifs à l'entretien du petit moteur non routier ou hors-route, mais Techtronic Industries North America, Inc. ne peut pas refuser la couverture de la garantie pour l'unique raison du manque de reçus ou parce que vous avez omis d'effectuer tous les entretiens prévus. Des pièces et services assurant des performances et une durabilité équivalente peuvent être utilisés pour les entretiens et réparations non couverts par la garantie, sans que cela ne change les obligations de garantie de Techtronic Industries North America, Inc.

(b) Toutefois, en tant que propriétaire du petit moteur non routier ou hors-route, vous devez être averti que les réparations couvertes par la garantie peuvent être refusées par Techtronic Industries North America, Inc. si la défaillance de ce moteur ou d'une de ses pièces est due à un usage abusif, la négligence, un manque d'entretien ou des modifications non approuvées.

(c) Vous êtes tenu de confier votre petit moteur non routier ou hors-route à un centre de réparations agréé dès qu'un problème se présente. Les réparations sous garantie seront effectuées dans un délai raisonnable, ne dépassant pas 30 jours.

Si vous avez des questions concernant vos droits et responsabilités dans le cadre de la garantie, contactez un représentant de Techtronic Industries North America, Inc. au 1-800-860-4050.

COUVERTURE

(a) La période de la couverture commence à la date de livraison du moteur ou d'équipement à l'acheteur.

(b) Couverture générale de garantie antipollution. Techtronic Industries North America, Inc. garantit à l'acheteur d'origine, ainsi qu'à tous les propriétaires ultérieurs, que son petit moteur non routier ou hors-route est conçu, construit et équipé conformément à toutes les réglementations de California Air Resources Board ou United States Environmental Protection Agency en vigueur au moment de la vente et que son petit moteur non routier ou hors-route sera exempt de tous défauts de matériaux ou de fabrication causant une non conformité aux réglementations en vigueur, pour une période de trois ans après l'acquisition du moteur par l'acheteur d'origine.

(c) La garantie sur les pièces se rapportant au système de contrôle d'émissions sera interprétée comme suit: Toute pièce couverte par la garantie qui ne doit pas être remplacée selon le Calendrier d'entretien du système de contrôle d'émissions et selon la Liste de pièces garanties, lesquels sont conformément stipulés ci-dessous, est garantie pour la période de trois ans. Si une telle pièce (y compris les pièces qui doivent seulement être inspectées régulièrement) s'avère défectueuse, elle sera réparée ou remplacée gratuitement dans un centre de réparations agréé RYOBI®. Toute pièce réparée ou remplacée dans le cadre de cette garantie sera garantie pour le reste de la durée de la garantie. Un énoncé stipulant « réparez ou remplacez au besoin » ne réduirait pas la période de couverture de la garantie. Toute pièce qui doit être remplacée conformément au Calendrier d'entretien du système de contrôle d'émissions et la Liste de pièces garanties est garantie pour la période de temps

précédant le premier remplacement prévu pour cette pièce. Toute pièce de ce genre réparée ou remplacée dans le cadre de cette garantie est garantie pour le restant de la période qui précède la première échéance de remplacement, et elle sera réparée ou remplacée gratuitement dans un centre de réparations agréé RYOBI® jusqu'au moment où elle doit être remplacée.

Techtronic Industries North America, Inc. effectuera les réparations sous garantie dans un centre de réparations RYOBI® agréé ou chez un concessionnaire. Tout diagnostic effectué dans un centre de réparations RYOBI® agréé sera gratuit si le diagnostic aide à déterminer qu'une pièce couverte par la garantie est défectueuse. Des pièces approuvées par le fabricant ou équivalentes peuvent être utilisées pour tout entretien ou réparation sous garantie des pièces relatives au système de contrôle des émissions et doivent être fournies gratuitement au propriétaire si la pièce est toujours sous garantie. Techtronic Industries North America, Inc. est responsable des dommages au moteur causés par une pièce toujours couverte par la garantie.

Des ajouts ou des pièces modifiées qui ne sont pas exemptées par California Air Resource Board ne peuvent pas être utilisées. L'utilisation de toute pièce non-exemptée ou modifiée peut justifier le refus d'une réclamation au titre de la garantie. Techtronic Industries North America, Inc. ne sera pas responsable pour des dommages aux pièces sous garantie causés par l'utilisation d'une pièce non-exemptée ou modifiée.

Le California Air Resources Board a publié une liste de toutes les pièces de systèmes d'émissions couvertes par une garantie. (Bien que les réglementations de l'EPA n'incluent pas de liste, les pièces qu'elle considère comme devant être garanties sont indiquées ci-dessous.) Techtronic Industries North America, Inc., fournira tous les documents relatifs aux procédures et politiques se rapportant à sa garantie dans les cinq jours suivant une demande de California Air Resources Board.

LISTE DE PIÈCES DU SYSTÈME DE CONTRÔLE D'ÉMISSIONS

Les pièces du système de contrôle d'émissions varient dépendamment du produit. Votre garantie du système de contrôle d'émissions s'applique à tous les composants suivants qui peuvent faire partie de votre produit:

- (1) Système de contrôle d'alimentation en carburant
 - (i) Carburateur et les composants internes (et/ou régulateur de pression ou système d'alimentation par injection).
 - (ii) Système de contrôle de rapport air/carburant.
 - (iii) Système d'enrichissement pour démarrage à froid.
 - (iv) Réservoir de carburant.
- (2) Système d'admission d'air
 - (i) Système d'admission contrôlée d'air chaud.
 - (ii) Tubulure d'admission.
 - (iii) Filtre à air.
- (3) Système d'allumage
 - (i) Bougies d'allumage.
 - (ii) Système d'allumage magnéto-électrique.
 - (iii) Système d'avance/retard à l'allumage.
- (4) Système de recirculation des gaz d'échappement (RGE)
 - (i) Corps de vanne et l'espacement du carburateur de RGE, si applicable.
 - (ii) Système de contrôle du taux de RGE.
- (5) Système d'injection d'air
 - (i) Pompe à air ou valve à impulsion.
 - (ii) Valves qui affectent la distribution d'écoulement.
 - (iii) Distributeur.
- (6) Catalyseur ou système de réacteur thermique
 - (i) Convertisseur catalytique.
 - (ii) Réacteur thermique.
 - (iii) Tubulure d'échappement.
- (7) Contrôles de particules
 - (i) Pièges, filtres, électrofiltres et tout autre dispositif utilisé pour capturer les émissions de particules.
- (8) Pièces diverses utilisées dans les systèmes énumérés ci-dessus
 - (i) Commandes électroniques.
 - (ii) Valves et interrupteurs sensibles au vide, à la température et au temps.
 - (iii) Tuyaux, courroies, connecteurs et modules.

Techtronic Industries North America, Inc. fournira au propriétaire des instructions d'entretien et d'utilisation écrites avec chaque nouveau moteur.

La période de conformité aux réglementations antipollution de l'autocollant de conformité d'émissions indique le nombre nominal d'heures de fonctionnement du moteur conformément aux réglementations du gouvernement fédéral américain. Catégorie C = 50 heures, B = 125 heures, A = 300 heures.

REGLAS DE SEGURIDAD GENERALES



¡ADVERTENCIA!

LEA Y COMPRENDA TODAS LAS INSTRUCCIONES. El incumplimiento de las instrucciones señaladas abajo puede causar descargas eléctricas, incendios y lesiones corporales serias.

GUARDE ESTAS INSTRUCCIONES

- Lea cuidadosamente el manual del operador. Familiarícese a fondo con todos los controles y el correcto uso del equipo. Aprenda la forma de apagar la unidad y de desactivar los controles con rapidez.
- Nunca permita utilizar el equipo a ningún niño. Nunca permita utilizar el equipo a ningún adulto carente de la debida capacitación para manejarlo.
- Siempre póngase protección ocular con la marca de cumplimiento de la norma ANSI Z87.1 junto con protección auditiva. La inobservancia de esta advertencia puede causar el lanzamiento de objetos hacia los ojos y otras lesiones graves.
- No fuerce la herramienta. Utilice la herramienta adecuada para cada tarea. El uso de la herramienta adecuada a la velocidad para la que está diseñada, efectuará el trabajo de mejor y más segura manera.
- Póngase pantalones, mangas largos, botas y guantes gruesos. No se ponga ropa holgada, pantalones cortos, joyería de ningún tipo, sandalias, ni ande descalzo.
- Recójase el cabello si lo tiene largo, de manera que le quede arriba de los hombros para evitar que se enrede en las piezas en movimiento.
- Mantenga a todos los observadores, niños y animales por lo menos a 15 metros (50 pies) de distancia.
- Mantenga alejadas del área de trabajo a todas las personas, particularmente a los niños de corta edad, y también a las mascotas.
- Nunca utilice la cultivadora sin tener buena visibilidad y luz.
- Inspeccione a fondo el área donde piense utilizar el equipo y elimine todos los objetos extraños.
- No utilice la máquina sin ponerse ropa exterior adecuada. Evite ponerse ropa holgada o joyas que pudieran resultar atrapadas en las piezas móviles de la máquina o en el motor de la misma.
- No accione el equipo cuando esté descalzo o al llevar puestas sandalias o calzado liviano similar. Use calzado de seguridad que le proteja los pies y mejore su postura en superficies resbaladizas.
- No utilice la cultivadora si se encuentra bajo los efectos del alcohol o drogas.
- No ponga las manos ni los pies cerca o bajo las aspas.
- Mantenga los pies bien afirmados y el equilibrio. No trate de alcanzar demasiado lejos. Se puede perder el equilibrio al tratar de alcanzar demasiado lejos.
- Tenga suma precaución para evitar resbalarse o caer.
- Nunca arranque ni accione el motor dentro de un área cerrada. La inhalación de las emanaciones del escape puede ser mortal.
- Nunca alce ni transporte una máquina mientras se encuentre en marcha.
- Mantenga la máquina en buenas condiciones de trabajo.
- Revise el apriete de todas las tuercas, pernos y tornillos con frecuencia para verificar la seguridad de las condiciones de funcionamiento del equipo.
- Nunca guarde la máquina con combustible en el tanque.
- Conserve la unidad limpia de césped, hojas o grasa a fin de reducir el riesgo de incendio.
- Tenga presente que el operador o usuario es responsable en caso de accidentes o peligros que ocurran a otras personas, su propiedad y a ellos mismos.
- Nunca intente efectuar ajuste alguno mientras el motor está en marcha (excepto cuando así lo recomiende específicamente el fabricante).
- Tenga extrema precaución cuando opere la unidad en caminos, aceras o carreteras y cuando los cruce. Permanezca alerta ante peligros ocultos o el tránsito. No transporte pasajeros.
- Si la unidad comienza a vibrar anormalmente, detenga el motor e inspeccione inmediatamente la unidad para determinar la causa. La vibración es generalmente una advertencia de problemas.
- Tome todas las precauciones posibles cuando deje la máquina desatendida. apague el motor y cerciórese de que se hayan detenido todas las partes en movimiento. Desconecte el cable de la bujía, y mantenga dicho cable alejado de la bujía para evitar el arranque de la unidad.
- Nunca opere la máquina sin que las protecciones, las placas u otros dispositivos de seguridad adecuados estén debidamente montados.
- Tenga cuidado al cultivar en tierra dura. Las púas pueden penetrar en el suelo e impulsar hacia adelante la cultivadora. Si esto ocurre, suelte las barras del mango y no inmovilice la máquina.
- No cambie las configuraciones del regulador del motor ni haga funcionar al motor a una velocidad excesiva.
- Nunca guarde la máquina con combustible en el tanque dentro de un edificio donde haya presentes fuentes de ignición, como el agua caliente y calentadores locales, secadoras de ropa y cosas parecidas. Deje enfriar el motor antes de guardar la unidad dentro de un alojamiento.
- Consulte siempre el manual del operador para obtener detalles importantes en caso de tener que guardar la cultivadora durante un período prolongado.
- Siga las recomendaciones del fabricante para lograr la carga, descarga, transporte y almacenamiento seguros de la máquina.

SERVICIO

- Antes de limpiar, reparar o inspeccionar la máquina, apague el motor y cerciórese de que se hayan detenido todas las partes en movimiento. Desconecte el cable de la bujía, y mantenga dicho cable alejado de la bujía para evitar el arranque de la unidad.

REGLAS DE SEGURIDAD GENERALES

- El servicio de la cultivadora sólo debe ser efectuado por personal de reparación calificado. Todo servicio o mantenimiento efectuado por personal no calificado puede significar un riesgo de lesiones al usuario, y de daños físicos al producto.
- Al dar servicio a la cultivadora, sólo utilice piezas de repuesto idénticas. El empleo de piezas no autorizadas puede significar un riesgo de lesiones serias al usuario, o de daños físicos al producto.

REGLAS DE SEGURIDAD ESPECÍFICAS

- No utilice la unidad cerca de cables eléctricos o telefónicos, o tubería subterráneos, ni de mangueras. Si tiene dudas, comuníquese con la compañía de servicios públicos o de teléfonos para localizar las líneas de servicio subterráneas.
- Si la unidad le pega a un objeto extraño, apague el motor, desconecte la bujía, inspeccione a fondo la máquina para ver si tiene algún daño, y repare éste antes de volver a arrancar y utilizar la máquina.
- Nunca abandone la posición de manejo de la unidad mientras esté funcionando el motor.
- Apague el motor y desconecte el cable de la bujía antes de desatascar las aspas y de efectuar labores de reparación, ajuste o inspección.
- No sobrepase la capacidad de la máquina cultivando a demasiada profundidad en una sola pasada o a una velocidad demasiado rápida.
- Permanezca alerta. Ponga atención a lo que hace. Aplique el sentido común. No utilice la cultivadora cuando esté cansado.
- Tenga presente que el equipo puede rebotar hacia arriba inesperadamente o saltar hacia adelante si las aspas tocan obstáculos enterrados como piedras grandes, raíces o cepas de árboles.
- No utilice ningún aditamento o accesorio que no recomiende el fabricante del producto.
- Nunca utilice el equipo en pendientes.
- Tenga suma precaución al tirar de la máquina hacia usted.
- Arranque el motor cuidadosamente de conformidad con las instrucciones, en la posición normal de manejo de la unidad, y con los pies lejos de las aspas. No fuerce la cultivadora. Será más eficaz y presentará menos riesgo de lesiones a la velocidad operativa para la que fue diseñada.
- Mientras no se esté utilizando, la cultivadora debe almacenarse en el interior, en un sitio seco y bajo llave, lejos del alcance de los niños.
- Dé mantenimiento esmerado a la cultivadora. Mantenga limpias las aspas para maximizar su eficacia y reducir el riesgo de lesiones. Siga las instrucciones correspondientes al cambio y lubricación de los accesorios. Inspeccione periódicamente el cuerda del arrancador y, si se encuentra dañado, reemplácelo. Mantenga los mangos secos y limpios, sin lubricante ni grasa.
- Inspeccione las piezas dañadas. Antes de seguir utilizando esta cultivadora, es necesario inspeccionar cuidadosamente toda aquella protección o pieza que se encuentre dañada para determinar si funcionará correctamente y desempeñará la función para la que está destinada. Verifique la alineación de las partes móviles y que las mismas no se atoren, verifique también el montaje de las piezas y que no haya piezas rotas, así como cualquier otra condición que pudiera afectar su




funcionamiento. Cualquier protección o pieza que esté dañada debe ser adecuadamente reparada o reemplazada en un centro de servicio autorizado, a menos que se indique otra cosa en este manual.

REABASTECIMIENTO DE COMBUSTIBLE








- El combustible es sumamente inflamable. Tenga precaución al utilizar la unidad con el fin de disminuir el riesgo de lesiones serias.
- Guarde la unidad en un lugar frío y bien ventilado, a una distancia segura de todo equipo generador de chispas o llamas.
- Guarde el combustible en recipientes diseñados específicamente para tal fin.
- Solamente reabastezca de combustible la unidad al aire libre y no fume durante el reabastecimiento.
- Reabastezca de combustible la unidad antes de arrancar el motor. Nunca retire la tapa del tanque de combustible ni lo reabastezca mientras esté encendida o caliente la unidad.
- No fume mientras esté mezclando el combustible o reabasteciendo el tanque.
- Afloje la tapa del tanque de combustible para aliviar la presión y para evitar que se escape combustible por la tapa.
- Después de reabastecer de combustible la unidad ponga la tapa y apriétela firmemente.
- Limpie todo el combustible que se haya derramado de la unidad. Aléjese por lo menos 9 metros (30 pies) del sitio de reabastecimiento de combustible antes de encender el motor.
- Nunca intente en ninguna circunstancia eliminar el combustible derramado quemándolo.
- Para reducir el riesgo de incendio o de lesiones por quemadura, maneje con cuidado el combustible. Es sumamente inflamable.
- Si se derrama combustible, no intente arrancar el motor; aleje la máquina del área del derramamiento y evite causar una fuente de ignición hasta que se disipen los vapores del combustible.
- Vuelva a colocar firmemente la tapa del tanque de combustible y la del recipiente.
- Vacíe el tanque de combustible en un contenedor apto para gasolina e inmovilice la unidad antes de transportarla en un vehículo.
- Al drenar el tanque de combustible, utilice un recipiente aprobado para combustible y hágalo en un lugar bien ventilado.
- Busque suelo raso para depositar la unidad, apague el motor, y permita que se enfríe antes de reabastecerlo de combustible.
- Guarde estas instrucciones. Consúltelas con frecuencia y empléelas para instruir a otras personas que puedan utilizar este producto. Si presta a alguien esta herramienta, facilítele también las instrucciones.

SÍMBOLOS

Las siguientes palabras de señalización y sus significados tienen el objeto de explicar los niveles de riesgo relacionados con este producto.

SÍMBOLO	SEÑAL	SIGNIFICADO
	PELIGRO:	Indica una situación peligrosa inminente, la cual, si no se evita, causará la muerte o lesiones serias.
	ADVERTENCIA:	Indica una situación peligrosa posible, la cual, si no se evita, podría causar la muerte o lesiones serias.
	PRECAUCIÓN:	Indica una situación potencialmente peligrosa la cual, si no se evita, puede causar lesiones leves o moderadas.
	PRECAUCIÓN:	(Sin el símbolo de alerta de seguridad) Indica una situación que puede producir daños materiales.

Es posible que se empleen en este producto algunos de los siguientes símbolos. Le suplicamos estudiarlos y aprender su significado. Una correcta interpretación de estos símbolos le permitirá utilizar mejor y de manera más segura la producto.

SÍMBOLO	NOMBRE	DENOMINACIÓN / EXPLICACIÓN
	Alerta de seguridad	Indica un peligro posible de lesiones personales.
	Lea el manual del operador	Para reducir el riesgo de lesiones, el usuario debe leer y comprender el manual del operador antes de usar este producto.
	Protección para los ojos y oídos	Siempre póngase protección ocular con protección lateral con la marca de cumplimiento de la norma ANSI Z87.1 así como protección para los oídos.
	Mantenga alejadas a las personas presentes	Mantenga alejados a los observadores a un mínimo de 15 m (50 pies) de distancia.
	Peligro de corte	Mantenga los pies y las manos alejados de las aspas.
	Peligro de corte	Mantenga los pies y las manos alejados de las aspas.
	Gasolina y lubricante	Utilice gasolina sin plomo diseñada para ser empleada en vehículos de motor con un octanaje de 87 [(R + M) / 2] o mayor.

CARACTERÍSTICAS

ESPECIFICACIONES DEL PRODUCTO

Tamaño del motor	30 cc
Salida del motor	1 HP
Volumen de lubricante de motor	65 ml (2,2 oz)

FAMILIARÍCESE CON LA CULTIVADORA

Vea la figura 1.

Para usar este producto con la debida seguridad se debe comprender la información indicada en la producto misma y en este manual, y se debe comprender también el trabajo que intenta realizar. Antes de usar este producto, familiarícese con todas las características de funcionamiento y normas de seguridad del mismo.

INTERRUPTOR DEL APAGADO/MARCHA

El interruptor del apagado/marcha sirve para controlar el sistema de encendido. El interruptor debe estar en la posición de encendido (I) para que arranque y funcione el motor. Para apagar el motor, ponga el interruptor en la posición de apagado (O).

BOMBA DE CEBADO

La bomba de cebado sirve para bombear combustible del tanque al carburador. Esto es necesario solamente al arrancar el motor cuando está frío o después de reabastecer de combustible el motor cuando cuando se le acabó.

MANGO DEL ARRANCADOR Y CUERDA

El mango del arrancador y cuerda sirve para arrancar el motor.

GATILLO DEL ACELERADOR

La gatillo del acelerador sirve para controlar la velocidad de rotación de las aspas. Al cultivar ponga hasta el fondo la gatillo del acelerador.

ARMADO

DESEMPAQUETADO

Este producto requiere armarse.

- Extraiga cuidadosamente de la caja el producto y los accesorios. Asegúrese de que estén presentes todos los artículos enumerados en la lista de empaquetado.



ADVERTENCIA:

No utilice este producto si alguna pieza incluida en la lista de contenido ya está ensamblada al producto cuando lo desempaqueta. El fabricante no ensambla las piezas de esta lista en el producto. Éstas deben ser instaladas por el usuario. El uso de un producto que puede haber sido ensamblado de forma inadecuada podría causar lesiones personales graves.

- Inspeccione cuidadosamente el producto para asegurarse de que no haya sufrido ninguna rotura o daño durante el transporte.
- No deseche el material de empaquetado hasta que haya inspeccionado cuidadosamente el producto y la haya utilizado satisfactoriamente.
- Si hay piezas dañadas o faltantes, le suplicamos llamar al 1-800-860-4050, donde le brindaremos asistencia.

LISTA DE EMPAQUETADO

Cultivadora
Lubricante para motor
Pernos (2)
Púa de la recortadora de bordes
Separador de púa de la recortadora de bordes
Rueda de la recortadora de bordes
Mango delantero
Perilla de la barra del mango (2)
Barra del mango superior
Conjunto de barra de ruedas y arrastre
Perilla de ajuste de barra de ruedas y arrastre
Manual del operador



ADVERTENCIA:

Si falta o está dañada alguna pieza, no utilice este producto sin haber reemplazado la pieza. Usar este producto con falta o está dañada alguna pieza podría tener puede causar lesiones graves.

ARMADO

ADVERTENCIA:

No intente modificar este producto ni hacer accesorios no recomendados para la misma. Cualquier alteración o modificación constituye maltrato el cual puede causar una condición peligrosa, y como consecuencia posibles lesiones corporales serias.

ADVERTENCIA:

Para evitar un arranque accidental que podría causar lesiones corporales graves, siempre desconecte el cable de la bujía del motor de la bujía misma al ensamblar las piezas.

INSTALACIÓN DEL MANGO DELANTERO

Vea la figura 2.

- Coloque el conjunto del mango como se muestra con la etiqueta hacia arriba.
- Presione los botones que se encuentran en el mango e insértelo en el bastidor. Presione el mango hacia abajo hasta que el botón entre en su lugar con un chasquido.

INSTALACIÓN DE LA BARRA DEL MANGO

Vea las figuras 3.

- Localice las perillas de la barra del mango y pernos.
- Ubique las partes inferior y superior de la barra del mango en sus respectivos lugares. Asegúrese de que el cable del

acelerador y el gatillo del acelerador se encuentren en el lado derecho, tal como se indica en la figura.

NOTA: No deje que se comprima el cable del acelerador cuando instale la barra del mango.

- Alinee los agujeros del clip con los agujeros del parte superior de la barra del mango y los agujeros del parte inferior de la barra del mango.
- Introduzca el perno como se muestra en la figura 3.
- Enrosque la perilla de la barra del mango sobre el perno y apriétela firmemente. Repita con el otro costado.

INSTALACIÓN DEL CONJUNTO DE LAS RUEDAS

Vea la figura 4 y 5.

El conjunto de las ruedas de accesorio permite transportar la unidad al área de trabajo.

Para instalación:

- Localice la perilla de ajuste de barra de ruedas y arrastre.
NOTA: Para instalar con la barra de arrastre superior, vea la figura 4. Para instalar con la barra de arrastre inferior, vea la figura 5.
- Introduzca la barra de soporte del conjunto de las ruedas en la abertura situada bajo la perilla de ajuste. Para colocar las ruedas en una posición alta, introduzca la barra en el primer agujero. Para colocar las ruedas en una posición baja, introduzca la barra en el segundo o tercer agujero.
- Introduzca la perilla de ajuste de barra de ruedas y arrastre. Gire la perilla de ajuste a la derecha, con lo cual se asegura el conjunto de las ruedas en su lugar.

FUNCIONAMIENTO

ADVERTENCIA:

No permita que su familiarización con este producto le vuelva descuidado. Tenga presente que un descuido de un instante es suficiente para infligir una lesión grave.

ADVERTENCIA:

Siempre póngase protección ocular con protección lateral con la marca de cumplimiento de la norma ANSI Z87.1 así como protección para los oídos. Si no cumple esta advertencia, los objetos que salen despedidos pueden producirle lesiones serias en los ojos.

ADVERTENCIA:

No utilice ningún aditamento o accesorio no recomendado por el fabricante de este producto. El empleo de aditamentos o accesorios no recomendados podría causar lesiones serias.

ADVERTENCIA:

No permita que las manos, pies o ninguna otra parte del cuerpo, o la ropa, estén cerca de las aspas giratorias ni de ninguna pieza móvil. Las aspas comienzan a girar hacia adelante una vez que arranca el motor y se oprime la gatillo del acelerador. Las aspas continúan girando hasta que se suelta la gatillo del acelerador. Si no se evita tal contacto pueden producirse lesiones serias.

PRECAUCIÓN:

Intentar arrancar el motor antes de que haya sido debidamente llenado de lubricante en el equipo tendrá como resultado el fracaso.

FUNCIONAMIENTO

ABASTECIMIENTO Y VERIFICACIÓN DE LUBRICANTE

Vea la figura 6.

El lubricante de motor empleado es un factor de gran importancia en el rendimiento y vida de servicio del motor. Esta unidad se envía con un lubricante para motor 20W50 para ayudar en el período de asentamiento. Para un mejor rendimiento, se recomienda seguir usando el lubricante para motor 20W50, sin embargo, todos los lubricantes SAE 30, 10W30 ó 10W40 son aceptables para ser usados en estos productos. Siempre utilice lubricante para motor de cuatro tiempos que satisfaga o sobrepase los requisitos SJ de clasificación de servicio API. Verifique el nivel de lubricante antes de cada uso.

NOTA: El lubricante sin detergente o para motor de dos tiempos daña el motor, por lo cual no debe usarse.

Para añadir lubricante para motor:

- Retire la tapa y el sello de la botella de lubricante provista.
- Desenrosque la tapa de relleno de aceite/varilla medidora de aceite y retírela.
- Usando el embudo, vierta todo el contenido de la botella del lubricante para motor a través del agujero de llenado de aceite.
- Vuelva a colocar la tapa de relleno de aceite/varilla medidora de aceite y asegúrelas.

Para verificar el nivel de lubricante para motor:

- Coloque la cultivadora en posición vertical con el conjunto de ruedas conectado para lograr la estabilidad.
- Limpie la varilla de nivel y vuelva a asentarla en el agujero; no la enrosque.
- Retire de nuevo la varilla medidora de lubricante y verifique el nivel de lubricante. El nivel de aceite siempre debe estar dentro del área cubierta con rayas entrecruzadas de la varilla medidora.
- Si está bajo el nivel, abastezca de lubricante el motor hasta que el nivel del fluido alcance la parte superior del área cubierta con rayas entrecruzadas de la varilla.
- Vuelva a colocar la tapa de relleno de aceite/varilla medidora de aceite y asegúrela.

PRECAUCIÓN:

No lo llene excesivamente. Llenar excesivamente el cárter puede producir humo en exceso, pérdida de aceite y daños en el motor.



ADVERTENCIA:

La gasolina y sus vapores son altamente inflamables y explosivos. Maneje con cuidado el producto para evitar lesiones personales graves y daños a la propiedad. Manténgalo alejado de fuentes de ignición y llamas abiertas, utilícelo al aire libre únicamente, no fume mientras mezcle la gasolina y el lubricante y limpie los derrames inmediatamente.

ABASTECIMIENTO Y REABASTECIMIENTO DE COMBUSTIBLE DE LA RECORTADORA

Vea la figura 7.

- Limpie la superficie alrededor de la tapa del tanque de combustible para evitar toda contaminación.
- Afloje lentamente la tapa del tanque de combustible. Coloque la tapa en una superficie limpia.

- Vierta cuidadosamente el combustible en el tanque. Evite los derrames.
- Antes de volver a colocar la tapa del tanque de combustible, limpie e inspeccione la junta.
- Vuelva a colocar inmediatamente la tapa del tanque de combustible y apriételo con la mano. Limpie todo derrame de combustible.

NOTA: Es normal que salga humo de un motor nuevo después de usarlo por primera vez.



ADVERTENCIA:

Siempre apague el motor antes de abastecer el combustible. Nunca agregue combustible a una máquina con el motor en marcha o caliente. Aléjese por lo menos 30 pies (9 metros) del sitio de reabastecimiento de combustible antes de encender el motor. ¡No fume y evite las llamas abiertas! La inobservancia de esta advertencia puede causar lesiones serias.

COMBUSTIBLES OXIGENADOS

NO USE COMBUSTIBLE E85. ANULARÁ SU GARANTÍA.

NOTA: No están cubiertos en la garantía los problemas de desempeño o daños al sistema de combustible producidos por el uso de un combustible oxigenado con un contenido superior a los porcentajes de alcohol o compuesto de éter señalados abajo.

Etanol. Las gasolinas con un contenido de 10% de etanol por volumen (comunmente conocida como E10) son aceptables. **La E85 no lo es.**

USOS

Antes de cada uso, inspeccione el producto completo para hallar piezas dañadas, sueltas o faltantes como tornillos, tuercas, pernos, tapas, etc. Apriete firmemente todos los sujetadores y tapas y no utilice este producto hasta que todas las piezas dañadas o faltantes sean reemplazadas. Llame al 1-800-860-4050 o comuníquese con un centro de servicio autorizado para obtener asistencia.

Este producto puede emplearse para los fines siguientes:

- Mullido de la tierra del jardín como preparación para plantar
- Cultivo superficial para eliminar maleza
- Cortado los bordes del césped de aceras, de las maneras de la entrada, macizos de flores y de las áreas similares.

ENCENDIDO Y APAGADO DE LA CULTIVADORA

Vea la figura 8 - 11.

Para arrancar el motor cuando está frío o se le ha terminado el combustible:

- Reabastezca el tanque de combustible, si es necesario. Siempre use la mezcla correcta de gasolina.
- Ponga el interruptor del apagado/marcha en la posición de **FUNCIONAMIENTO (I)**

NOTA: No accione la gatillo del acelerador durante el proceso de arranque.

- Presione lentamente 10 veces la bomba de cebado.

NOTA: Luego de la 7ª vez que oprima, se debe ver el combustible en la bomba de cebado. Si esto no sucede, continúe presionando el cebador hasta que vea combustible en la bomba.

- Incline la unidad sobre sus ruedas para que el mango se apoye en el piso.

FUNCIONAMIENTO

- Coloque el pie sobre la barra del mango y la mano en el mango delantero.
- Coloque la palanca del anegador en la posición **FULL CHOKE** (anegación máxima).
- Con el gatillo acelerador en ralentí, jale del mango del arrancador enérgicamente hasta que el motor intente arrancar. No tire de la cuerda del arrancador más de cuatro (4) veces.
- Coloque la palanca del anegador en la posición **HALF CHOKE** (anegación media).
- Tire del mango del arrancador hasta que empiece a funcionar el motor. No tire del mango del arrancador más de seis (6) veces.
NOTA: Si el motor no arranca, ponga el anegador en **FULL CHOKE** (anegación máxima) y repita los pasos.
- Permita que el motor funcione 10 segundos y después ponga la palanca del anegador en la posición **RUN** (funcionamiento).
- Muévelo hasta apuntar a la parte trasera de la máquina y oprima el gatillo del acelerador para empezar a utilizar la unidad.

Para arrancar con el motor caliente:

- Presione lentamente 10 veces la bomba de cebado.
- Después ponga la palanca del anegador en la posición **RUN** (funcionamiento).
- Tire del mango del arrancador hasta que empiece a funcionar el motor. No oprima el gatillo del acelerador para arrancar el motor caliente.

Para apagar :

- Para apagar el motor, coloque el interruptor de **STOP** en la posición de apagado "O".

SI NECESITA ASISTENCIA PARA EL ARRANQUE ESTE PRODUCTO:

No devuelva este producto a la tienda donde fue adquirido. Por favor llame al Departamento de Atención al Cliente para todo problema que pueda tener.

Si necesita asistencia llame al: 1-800-860-4050.

LA PREPARACIÓN DE LA CAMA DE SEMILLAS

Vea la figura 11.



ADVERTENCIA:

Detenga el motor y desconecte la bujía antes de instalar o remover el conjunto de la barra de ruedas y arrastre o al instalar o quitar las púas. para evitar un arranque accidental que pueda causar lesiones personales graves.

La cultivadora puede utilizarse para mullir la tierra del jardín y preparar un lecho de tierra para plantar semillas. Planifique para dejar suficiente espacio entre las hileras de semillas con el fin de permitir el cultivo con máquina una vez crecidas las plantas.

- Teniendo instalado en la posición A adjusting wheel/drag bar assembly, como se describió en la página 10, empuje la máquina al área de trabajo.
- Para cultivo general, retire o **ajuste de posición del conjunto de la barra de ruedas y arrastre** siguiendo las directrices indicadas en el apartado. Ajuste del conjunto de la barra de ruedas y arrastre.

- La barra de arrastre tiene dos posiciones de instalación a escoger. Con base en el tipo de tierra por cultivar y el estado de la misma, variará la altura correspondiente de la barra de arrastre. Ajuste la posición de la barra de arrastre según las directrices señaladas en el apartado **ajuste de posición del conjunto de la barra de ruedas y arrastre**.

- Arranque el motor.
- Párese detrás de la unidad, con las aspas de ésta sobre el suelo y teniendo el área de trabajo limpia y carente de obstrucciones.
- Meta completamente el gatillo del acelerador para iniciar el giro de las aspas.

NOTA: Si la máquina avanza demasiado rápido y las ruedas están en la posición A o B con la barra de arrastre instalada (vea la figura 15), empuje hacia abajo la barra del mango para permitir que la barra de arrastre penetre en la tierra y aminore la velocidad de avance de la unidad. Las aspas ayudan a impulsar hacia adelante la máquina, por lo cual debe usarse una velocidad más lenta y una profundidad menor cuando está aprendiéndose a usar la unidad y al cultivar terreno duro, áspero o accidentado.

- Siempre maneje la unidad a la máxima aceleración al cultivar.

NOTA: Es posible que se requieran varias pasadas por el mismo trayecto para lograr la profundidad deseada. No intente cultivar a demasiada profundidad en la primera pasada. Si la máquina salta o da sacudidas, permita que avance a una velocidad levemente más rápida, o instale el conjunto de las ruedas de accesorio.

Para cultivar a mayor profundidad, levante la barra del mango. Aplique presión hacia abajo en la barra del mango si desea cultivar más superficialmente.

Si la máquina no avanza y sólo cava en un mismo lugar, balancee la unidad de un lado a otro para hacerla avanzar de nuevo.

Si está muy dura la tierra, riéguela unos cuantos días antes de cultivarla.

Evite trabajar la tierra cuando esté mojada o húmeda. Después de una lluvia intensa, espere uno o dos días para dejar secar la tierra.

CULTIVO GENERAL

Vea la figura 12.

El cultivo general a menos de 51 mm (2 pulg.) puede utilizarse para arrancar maleza y airear la tierra, sin lastimar las raíces de las plantas cercanas. Debe realizarse a menudo de manera que la maleza no crezca y se enrede en la aspas de la unidad.

Las dos hojas de aspas exteriores pueden desmontarse de la unidad para permitir una anchura de cultivo más angosta.

Para desmontar las dos hojas de aspas exteriores:

- Desconecte el cable de la bujía.
- Retire los pasadores de enganche de los agujeros situados en los extremos del eje de las aspas.
- Retire del eje las hojas de aspas exteriores y las arandelas de filtro.
- Coloque los pasadores de enganche en los agujeros que quedaron descubiertos al quitar las arandelas de filtro.

NOTA: La unidad no funciona correctamente si no se instalan correctamente las aspas. Si observa algún problema en el funcionamiento de la unidad, revise la colocación de las aspas para ver si es la correcta.

FUNCIONAMIENTO

USO DE LA CULTIVADORA PARA RECORTAR BORDES

Vea la figura 13.

La cultivadora cortado los bordes del césped de aceras, de las maneras de la entrada, macizos de flores y de las áreas similares.

Pour installer la dent de coupe-bordures:

- Retire todas las púas y las arandelas de fieltro desde el eje.
NOTA: Mantenga todas las piezas removibles en un lugar seguro ya que se necesitarán cuando se convierta a la aplicación de cultivo.
- Coloque la rueda guía de un lado del eje de la púa.
- Para asegurar la rueda guía coloque el pasador de enganche en el agujero más cerca de la caja de engranajes.
NOTA: La muela guía se diseña para moverse por el eje. No se asegurará en una posición fija.
- Coloque el espaciador de púas en el lado vacío del eje de la púa.
- Coloque una arandela de fieltro en el eje de la púa, luego deslice para apoyar contra el espaciador de púas.
- Coloque la púa de la recortadora de bordes dentro del eje para que se apoye perfectamente contra la arandela de fieltro.
- Para asegurar la púa de la recortadora de bordes coloque el pasador de enganche en el agujero en el extremo del eje

Para volver a instalar las púas de la cultivadora:

- Retire el púa de la recortadora de bordes, separador, rueda de la recortadora de bordes, y arandela de fieltro.
- Identifique las púas de la cultivadora.
NOTA: La herramienta tiene cuatro púas para cultivar — dos interiores estampó B y C, y dos exteriores estampó A y D. Para obtener un funcionamiento correcto de la unidad, las aspás deben instalarse con la debida orientación.
- Incline hacia atrás la unidad sobre las ruedas de manera que la barra del mango descansa en el suelo.
NOTA: La vista de la caja de engranajes para instalar las púas es desde la parte frontal de la cultivadora, como se muestra en la figura 14.

- Coloque el aspa C en el eje correspondiente, a la derecha de la caja de engranajes. El lado troquelado del aspa debe quedar orientada en la dirección contraria de donde está la caja de engranajes.
- Coloque el aspa B en el eje, a la izquierdo de la caja de engranajes. El lado troquelado del aspa debe quedar orientada en la dirección contraria de donde está la caja de engranajes.
- Coloque una arandela de fieltro en cada lado del eje de las aspás, y coloque el resto contra las aspás interiores.
- Coloque el aspa exterior D en el lado derecha del eje. El lado troquelado debe quedar orientado hacia adentro, hacia el aspa C.
- Coloque el aspa exterior A en el lado izquierdo del eje. El lado troquelado debe quedar orientado hacia adentro, hacia el aspa B.
NOTA: Si se ha efectuado correctamente la instalación, el borde angular de las cuchillas de las aspás debe quedar orientado hacia el suelo.
- Para asegurar las aspás en el eje de las mismas, introduzca el pasador de enganche en los agujeros situados en cada lado de dicho eje.
NOTA: La unidad no funciona correctamente si no se instalan correctamente las aspás. Si observa algún problema en el funcionamiento de la unidad, revise la colocación de las aspás para ver si es la correcta.

PROFUNDIDAD CONSEJOS

- Efectúe el corte a un paso estable. Si comienza a atascarse la cuchilla, significa que usted está efectuando con demasiada rapidez el corte; aminore el paso. No fuerce la cuchilla a entrar en la tierra.
- Un contacto leve de la cuchilla contra el borde de la acera, bordillo, etc., es aceptable y no se daña la cortadora de bordes.
- Se logra el mejor aspecto cuando está seco el pasto. Evite cortar bordes en áreas donde esté húmeda la tierra o el pasto.

AJUSTES



ADVERTENCIA:

Para evitar un arranque accidental que podría causar lesiones corporales serias, siempre desconecte el cable de la bujía al efectuar ajustes.

AJUSTE DE POSICIÓN DEL CONJUNTO DE LA BARRA DE RUEDAS Y ARRASTRE

Vea la figura 14 - 16.

La posición de las ruedas de la unidad es ajustable. Los agujeros de la barra de soporte de la rueda ofrece diferentes alturas optativas en ambas posiciones, A, B, y C.

Cambie la posición de la barra de ruedas y arrastre accesoria para lograr la profundidad deseada.

- Instale el conjunto de las ruedas de accesorio en la posición A al transportar la cultivadora al área de trabajo y de un lado a otro.
- El conjunto de la barra de ruedas y arrastre puede instalarse en la posición B para una profundidad de cultivo de poco profunda a moderada.
NOTA: Cuando está en la posición B, la barra de arrastre puede usarse para controlar la velocidad de la cultivadora y la profundidad del funcionamiento. Hay tres ajustes de profundidad disponibles en la posición B.
- Para el cultivo general, retire el conjunto de las ruedas (posición C) para permitir una penetración más profunda de las hojas de aspás en la superficie de cultivo.

MANTENIMIENTO

ADVERTENCIA:

Al dar servicio a la unidad, sólo utilice piezas de repuesto idénticas. El empleo de piezas diferentes puede causar un peligro o dañar el producto.

ADVERTENCIA:

Cuando utilice este producto, póngase siempre gafas de seguridad con protección lateral. Si la operación genera mucho polvo, también póngase una mascarilla contra el polvo.

ADVERTENCIA:

Antes de inspeccionar, limpiar o dar servicio a la máquina, desconecte el cordón de corriente y espere a que se detengan todas las piezas móviles. El incumplimiento de cualquiera de estas instrucciones puede causar lesiones serias.

MANTENIMIENTO GENERAL

Antes de cada uso, inspeccione el producto completo para hallar piezas dañadas, sueltas o faltantes como tornillos, tuercas, pernos, tapas, etc. Apriete firmemente todos los sujetadores y tapas y no utilice este producto hasta que todas las piezas dañadas o faltantes sean reemplazadas. Llame al 1-800-860-4050 o comuníquese con un centro de servicio autorizado para obtener asistencia.

Evite el empleo de solventes al limpiar piezas de plástico. La mayoría de los plásticos son susceptibles a diferentes tipos de solventes comerciales y pueden resultar dañados. Utilice paños limpios para eliminar la suciedad, el polvo, el aceite, la grasa, etc.

ADVERTENCIA:

No permita en ningún momento que fluidos para frenos, gasolina, productos a base de petróleo, aceites penetrantes, etc., lleguen a tocar las piezas de plástico. Las sustancias químicas pueden dañar, debilitar o destruir el plástico, lo cual a su vez puede producir lesiones corporales serias.

Solamente las piezas mostradas en la lista de piezas pueden ser reparadas o cambiadas por el consumidor. Todas piezas restantes deben ser reemplazadas en un centro de servicio autorizado.

LIMPIEZA DEL FILTRO DE AIRE

Vea la figura 17.

Cambie el filtro de aire según señala el calendario de mantenimiento.

Para limpiar el filtro de aire:

- Presione el pestillo ubicado debajo de la tapa del filtro de aire. A continuación, levante la tapa de las orejetas de fijación y retírela de la unidad.
- Retire el filtro de aire.
- Enjuague el filtro con agua limpia.
- Oprima suavemente el filtro hasta quitar el exceso de agua.
- Aplique una capa delgada de aceite de motor al elemento de filtro de espuma, luego escúrrala.
- Vuelva a instalar el filtro.

NOTA: Asegúrese de que el filtro esté asentado correctamente en el interior de la tapa. Si se instala de forma incorrecta el filtro el polvo entra en el motor y causa un rápido desgaste del mismo.

- Vuelva a instalar la tapa del filtro de aire y asegúrese de que las orejetas queden fijas en la unidad y que los orificios de la tapa del filtro de aire estén alineados.
- Para asegurarla, presione la tapa del filtro de aire hasta que el pestillo de la parte inferior de la tapa quede fijo en su lugar.

NOTA: Para un mejor rendimiento, el filtro de aire debe ser reemplazada una vez cada año.

TAPA DEL TANQUE DE COMBUSTIBLE

ADVERTENCIA:

Revise la herramienta para ver si tiene fugas de combustible. Una tapa del tanque de combustible con fugas constituye un riesgo de incendio y debe reemplazarse inmediatamente. Si encuentra fugas, corrija el problema antes de utilizar la herramienta. De lo contrario puede producirse un incendio, con el consiguiente riesgo de lesiones serias.

La tapa del tanque de combustible contiene un filtro que no necesita mantenimiento y una válvula de retención. Un filtro de combustible obstruido puede causar un desempeño deficiente del motor. Si mejora el desempeño al aflojar la tapa del tanque de combustible, es posible que esté defectuosa la válvula de retención o quizá esté obstruido el filtro. Reemplace la tapa del tanque de combustible si es necesario.

REEMPLAZO DE LA BUJÍA

Vea la figura 18.

La cultivadora requiere una bujía Champion RY4C con una separación interelectrónica de 0,63 mm (0.025 pulg.). Utilice un repuesto idéntico y cámbielo anualmente.

- Quite los tornillos de la parte superior de la carcasa del motor. Esto permitirá que la carcasa del motor quede descubierta como se muestra en la figura 18.
- Retire la funda de la bujía.
- Afloje la bujía; para ello, gírela hacia la izquierda con una llave de cubo.
- Retire la bujía.
- Enrosque la nueva bujía con la mano, girándola hacia la derecha.
- Apriétela con una llave de cubo a 19,2 Nm (170 lb-pulg) como mínimo, y a 21,5 Nm (190 lb-pulg) como máximo. No efectúe un apriete excesivo
- Asegure la carcasa del motor en su lugar y regrese el tornillo. Asegúrese de que la carcasa esté estable..

PRECAUCIÓN :

Tenga cuidado de no cruzar el hilo de la bujía. Cruz roscando dañará seriamente el producto.

PARACHISPAS

Es necesario limpiar o reemplazar el parachispas cada 50 horas o anualmente para asegurarse del buen funcionamiento de la unidad. Los parachispas pueden estar instalados en diferentes posiciones dependiendo del modelo del cual se trate. Comuníquese con el establecimiento de servicio más cercano para confirmar la ubicación del parachispas para su modelo específico.

CAMBIO DEL LUBRICANTE PARA MOTOR

Vea la figura 19.

Para lograr un desempeño óptimo, el lubricante para motor debe cambiarse cada 25 horas de uso.

MANTENIMIENTO

Para cambiar el lubricante para motor:

- Detenga el motor y desconecte el cable de la bujía. Deje enfriar el motor completamente antes de comenzar.
- Retire la tapa de relleno de aceite/varilla medidora de aceite.
- Inclíne el cabezal motor hacia el costado para permitir que el lubricante drene por el agujero de llenado de aceite en un contenedor aprobado.

NOTA: Drene el lubricante mientras el motor esté tibio, no caliente. El lubricante tibio drena rápidamente y casi por completo.

- Vuelva a colocar el cabezal motor en posición vertical y abastezca de lubricante siguiendo las instrucciones que aparecen en la sección anterior de este manual: **Abastecimiento y verificación del lubricante para motor.**

NOTA: El lubricante usado debe desecharse en un vertedero aprobado. Consulte su vendedor local para obtener más información.

LIMPIEZA DEL ORIFICIO DE ESCAPE Y DEL SILENCIADOR

Dependiendo del tipo de combustible utilizado, el tipo y la cantidad de lubricante utilizado, o las condiciones de funcionamiento en particular, la abertura de escape, el silenciador y/o el parachispas pueden resultar obstruidos con depósitos de carbón. Si observa alguna pérdida de potencia en su herramienta con motor de gasolina, quizá sea necesario eliminar dichos depósitos para restaurar el rendimiento. Recomendamos enfáticamente que este servicio lo realicen únicamente los técnicos de servicio calificados.

CÓMO GUARDAR DE LA CULTIVADORA

Deben seguirse los siguientes pasos antes de guardar la cultivadora después del trabajo de la estación.

Tanque de combustible:

- Vacíe completamente el tanque de combustible en un recipiente de uso aprobado para gasolina. Incluso en condiciones ideales, el combustible con contenido de etanol MTBE puede empezar a descomponerse en 30 días. El combustible descompuesto tiene un alto contenido de goma y puede tapan el carburador y obstaculizar el flujo de combustible. También debe vaciarse el tanque de combustible si no va a utilizarse la cultivadora durante más de dos semanas.
- Vuelva a arrancar el motor para asegurarse de que no quede combustible en el carburador. Deje funcionando el motor hasta que se apague por sí mismo. De esta manera se evitan la formación de depósitos de goma en el interior del carburador y posibles daños en el motor.

Bujía:

- Desconecte el cable de la bujía y retire ésta. Vierta una cucharada chica de lubricante limpio para motor de dos tiempos a través del agujero de la bujía, en el interior de la cámara de combustión.
- Teniendo la bujía afuera, tire de la cuerda del arrancador dos o tres veces para recubrir el interior de la pared del cilindro.
- Inspeccione la bujía y límpiela o reemplácela según sea necesario.
- Vuelva a instalar la bujía, pero deje desconectado el cable de la misma.

Filtro de aire:

- Limpie el filtro de aire como se explicó previamente.

Cuerpo de la cultivadora:

- Limpie toda la suciedad, pasto y demás materiales de toda la unidad.
- Limpie las aspas con lubricante o rocíelas con lubricante de silicón para impedir la oxidación de las mismas.
- Aceite el cable del acelerador y todas las partes móviles visibles. No retire la tapa del motor.
- Pida piezas nuevas para reemplazar las que estén gastadas o rotas.
- Guarde la unidad en posición vertical en un lugar limpio y seco. Puede guardar la unidad con el mango en posición extendida, o afloje las perillas y doble el mango. **No permita que se pellizque el cable del acelerador al bajar la barra del mango.**
- Deseche de forma correcta el combustible sobrante en conformidad con leyes municipales, estatales o federales.

AJUSTE DE LA APERTURA DEL ÁRBOL DE LEVAS DEL BALANCÍN

Vea las figuras 20 a 22.

Inspeccione la apertura del árbol de levas del balancín cada 25 horas de funcionamiento. Debe realizar esta tarea en un lugar limpio y sin polvo.

NOTA: Este procedimiento requiere un desarmado parcial del motor. Si no está seguro de estar capacitado para realizar esta operación, lleve la unidad a un centro de servicio autorizado.

- Apague el motor. Deje enfriar el motor completamente antes de comenzar.
- Quite los tornillos de la tapa del motor. Quite la tapa del motor y déjela a un lado.
- Desconecte el cable de la bujía.
- Usando un destornillador Torx, quite el tornillo de la tapa del balancín. Quite la tapa y junta y déjela a un lado.
- Coloque el árbol de levas tirando del mango del arrancador retráctil hasta que el orificio profundo del engranaje del árbol de levas quede en la posición de las 6 en punto.
- Coloque el calibrador de separaciones debajo de cada balancín y mida el espacio como se muestra en la figura 24. Este espacio debe medir entre 0,15 mm (0,006 pulg.) y 0,20 mm (0,008 pulg.) en ambos balancines.

NOTA: Use un calibrador de separaciones estándar para automóviles. El calibrador de separaciones de 0,15 mm (0,006 pulg.) debe deslizarse entre el balancín y el vástago de la válvula con una pequeña resistencia pero sin atascarse. El calibrador de separaciones de 0,20 mm (0,008 pulg.) no debe deslizarse entre los balancines y los lóbulos de leva, sino que debe mantenerse fijo.

- Si la apertura de la válvula no es entre 0,15 mm (0,006 pulg.) y 0,20 mm (0,008 pulg.), la apertura debe ajustarse como se describe a continuación:

- Mientras sostiene con una mano una llave en las partes planas de la tuerca de ajuste, afloje la tuerca de retención con una segunda llave como se muestra. Tenga cuidado de que el vástago no se afloje.
- Gire la tuerca de ajuste hasta que toque el calibrador de separaciones. Una vez que el espacio esté

MANTENIMIENTO

correctamente configurado, sostenga la llave en las partes planas de la tuerca de ajuste y reajuste firmemente la tuerca de retención.

- Si es necesario, ajuste el segundo balancín.
- Vuelva a colocar la tapa de los balancines y ajuste los tornillos firmemente (Apriete a un par de torsión de [7-10 in. lbs] 0,79 Nm - 1,13 Nm).
- Vuelva a colocar la tapa superior del motor y ajuste los tornillos firmemente.



ADVERTENCIA:

Asegúrese de que todas las tapas y todas las piezas del motor estén colocadas correctamente antes de arrancar el motor. Si no vuelve a armar el motor correctamente, puede ocasionar lesiones graves y daños a los bienes.

AJUSTE DE LA MARCHA LENTA

Vea la figura 23.

Si el accesorio del corte avanza estando el motor en marcha lenta, se necesita ajustar el tornillo de marcha lenta del motor. Gire el tornillo de velocidad de marcha lenta en el sentido contrario a las manecillas del reloj para reducir las RPM y que se detenga el movimiento del accesorio del corte. Si el accesorio del corte aún se mueve al estar el motor en marcha lenta, contacte a un representante de servicio para el ajuste y suspenda el uso de la misma hasta que se efectúe la reparación.

PREPARACIÓN DE LA UNIDAD PARA USARLA DESPUÉS DE TENERLA GUARDADA

Deben seguirse los siguientes pasos antes de usar la cultivadora después de haberla tenido guardada.

- Despliegue el mango, póngalo en la posición desplegada y asegúrelo con las perillas de apriete de la barra del mismo. **No permita que se pellizque el cable del acelerador al subir la barra del mango.**
- Tire de la cuerda del arrancador tres o cuatro veces para limpiar el lubricante de la cámara de combustión.
- Retire la bujía del cilindro. Limpie el lubricante de la bujía y vuelva a ponerla en el cilindro.
- Vuelva a conectar el cable de la bujía.
- Siga los pasos descritos en las páginas 7 a 8 para reabastecer de combustible y arrancar la cultivadora.

OPERACIÓN DEL MOTOR A ALTITUDES ELEVADAS

Lleve este equipo a un centro de servicio técnico autorizado para que ajusten este motor en caso de que se lo deba hacer funcionar a más de 609,6 metros (2000 pies) de altura. De no hacerlo, el rendimiento del motor podría ser deficiente, se podrían dañar las bujías de encendido, se podría dificultar la puesta en marcha y se generaría un mayor nivel de emisiones contaminantes. El ajuste del carburador en un centro de servicio técnico autorizado mejorará el rendimiento y permitirá que este motor cumpla con las normas de emisiones contaminantes de la Agencia de Protección Ambiental (Environmental Protection Agency, EPA) y de la Junta de Recursos del Aire (Air Resources Board, ARB) de California. Un motor ajustado para altitudes elevadas no puede hacerse funcionar a una altura inferior a los 609,6 metros (2000 pies). De hacerlo, el motor se sobrecalentará y sufrirá graves daños. Lleve todo motor que haya sido modificado para funcionar a altitudes elevadas a un centro de servicio técnico autorizado para que restauren las condiciones de las especificaciones de fábrica originales antes de hacerlo funcionar a menos de 609,6 metros (2000 pies) de altura.

SOLUCIÓN DE PROBLEMAS

PROBLEMA	CAUSA	SOLUCIÓN
El motor no arranca.	El interruptor del apagado/marcha está en la posición de apagado. No hay combustible en el tanque. Falló o tiene corto la bujía. Se rompió la bujía (se rajó la porcelana o se rompieron los electrodos). El cable de ignición tiene corto, está roto o desconectado de la bujía. El sistema de ignición no funciona.	Ponga el interruptor en encendido. Llene el tanque. Reemplace la bujía. Reemplace la bujía. Reemplace el cable de ignición o conéctelo a la bujía. Comuníquese con un centro de servicio autorizado.
Cuesta trabajo arrancar el motor.	Hay agua en la gasolina o está descompuesta la mezcla de combustible. Hay demasiado lubricante en la mezcla de combustible. El anegador está demasiado abierto o cerrado.	Drene todo el sistema y reabastézcalo de combustible fresco. Vacíe el sistema y reabastézcalo de la mezcla correcta. Ajuste el anegador según sea necesario.

SOLUCIÓN DE PROBLEMAS

PROBLEMA	CAUSA	SOLUCIÓN
Motor carece de poder	filtro de aire obstruirse	limpie o reemplace filtro de aire
El motor emite demasiado humo	Hay demasiado aceite en el cárter.	Drene el lubricante y vuelva a llenar con la cantidad correcta de lubricante para motor 20W-30. Consulte Cómo agregar/ verificar el lubricante para motor en la sección Operación de este manual.
No se puede tirar de la cuerda del motor	Ha entrado aceite en la cámara de combustión.	Esto generalmente se debe a que la unidad ha estado guardada durante un tiempo extendido con el motor en posición invertida. Retire y limpie la bujía. Drene el aceite del orificio de la bujía, luego vuelva a colocarla.
El motor arranca, marcha y acelera pero no funciona a velocidad de marcha en vacío (ralenti)	El tornillo de marcha lenta del carburador necesita ajuste.	Gire a la derecha el tornillo de marcha lenta para aumentar la velocidad de marcha en vacío (ralenti). <i>Vea la figura 24.</i>

GARANTÍA

PROGRAMA DE MANTENIMIENTO PARA EL CONTROL DE EMISIONES Y LISTA DE PIEZAS GARANTIZADAS

Piezas para el control de emisiones	Inspeccionar cada vez antes de usar la unidad	Limpiar cada 5 horas de uso	Reemplazar cada 25 horas de uso o cada año	Limpiar cada 50 horas de uso o cada año
-------------------------------------	---	-----------------------------	--	---

CONJUNTO DEL FILTRO DE AIRE

INCLUYE:

FILTROX

LUBRICANTE DEL MOTOR.....X.....X

PANTALLA PARACHISPAS X

CONJUNTO DEL CARBURADOR

INCLUYE:

REPRESA TÉRMICAX

JUNTAS.....X

CONJUNTO DEL TANQUE DE COMBUSTIBLE

INCLUYE:

CONDUCTOS DE COMBUSTIBLEX

TAPA DEL TANQUE DE COMBUSTIBLE...X

FILTRO DE COMBUSTIBLE.....X

CONJUNTO DEL ENCENDIDO

INCLUYE:

BUJÍA..... X

TODAS LAS PIEZAS RELACIONADAS CON LAS EMISIONES ESTÁN GARANTIZADAS POR TRES AÑOS O POR EL PERÍODO DE TIEMPO PREVIO AL MOMENTO DEL PRIMER CAMBIO PROGRAMADO DE LAS PIEZAS, LO QUE SUCEDA PRIMERO.



LLÁMENOS PRIMERO

Si tiene preguntas sobre el funcionamiento o el mantenimiento este producto, llame al teléfono de atención al consumidor de Ryobi!

La sopladora/aspiradora ha sido probada enteramente antes de embarcarse para asegurar la satisfacción del consumidor.

GARANTÍA

DECLARACIÓN DE LA GARANTÍA LIMITADA

Techtronic Industries North America, Inc. garantiza al comprador original al menudeo que este producto de la marca RYOBI® carece de defectos en los materiales y en la mano de obra, y acuerda reparar o reemplazar, a la sola discreción de Techtronic Industries North America, Inc., cualquier producto defectuoso, sin cargo alguno al comprador, dentro de los siguientes períodos de tiempo a partir de la fecha de compra.

- Tres años si los productos se emplean para uso personal, familiar o casero;
- 90 días si el producto se emplea para cualquier otro propósito, como el uso comercial o el de alquiler.

Esta garantía se otorga solamente al comprador original al menudeo, y comienza en la fecha de la compra original al menudeo.

Cualquier parte de este producto Techtronic Industries North America, Inc. que, a juicio razonable de la compañía, tenga defectos en los materiales o en la mano de obra, será reparado o reemplazado por un centro de servicio autorizado de herramientas para uso en el exterior de la marca RYOBI®, sin cargo alguno al comprador por concepto de piezas y mano de obra (Centro de Servicio Autorizado Ryobi).

El producto, incluida toda pieza defectuosa, debe enviarse a un centro de servicio autorizado Ryobi dentro del período de la garantía. El gasto de enviar el producto al centro de servicio para cualquier trabajo cubierto por la garantía, así como el gasto de devolverlo al propietario después de la reparación, correrán por cuenta del propietario. La responsabilidad de Techtronic Industries North America, Inc. con respecto a todo reclamo se limita a las reparaciones o reemplazo del producto, y ningún reclamo de incumplimiento de la garantía será causante de la cancelación o rescisión del contrato de venta de ninguna herramienta de uso en el exterior de la marca RYOBI®. En el establecimiento se requerirá el recibo de compra para respaldar cualquier reclamo al amparo de la garantía. Todo trabajo cubierto en la garantía debe ser realizado por un concesionario de servicio autorizado.

Esta garantía se limita a noventa (90) días a partir de la fecha original de la compra de cualquier herramienta de uso en el exterior de la marca RYOBI® empleada para propósitos comerciales o de alquiler, o cualquier otro propósito generador de ingresos.

Esta garantía no cubre ningún producto que haya sido sujeto a un uso indebido, maltrato, negligencia o accidente, o que haya sido utilizado de cualquier forma contraria a las instrucciones de manejo especificadas en el manual del operador del producto. Esta garantía no aplica a ningún daño en el producto que resulte de un mantenimiento indebido ni a ningún producto que haya sido alterado o modificado. La garantía no cubre ninguna reparación necesaria por el uso normal ni por el uso de piezas o accesorios que sean incompatibles con la herramienta para uso exterior de la marca RYOBI®, o afecten de forma desfavorable su funcionamiento, desempeño o durabilidad.

Además, esta garantía no cubre:

A. Afinación – Bujías, carburador, ajustes del carburador, encendido, filtros

B. Artículos sujetos a desgaste – Perillas de tope, carretes exteriores, hilos de corte, carretes interiores, poleas del arrancador, cuerdas del arrancador, correas de transmisión, aspas, arandelas de fieltro y pasadores de enganche, hojas de triturar, ventiladores de sopladoras, tubos de sopladoras y de aspiradoras, sacos y correas de aspiradoras, barras guía y cadenas de sierras

Techtronic Industries North America, Inc. se reserva el derecho a cambiar o mejorar el diseño de cualquier herramienta para uso en el exterior de la marca RYOBI® sin asumir ninguna obligación de modificar ningún producto fabricado previamente.

TODAS LAS GARANTÍAS IMPLÍCITAS ESTÁN LIMITADAS EN DURACIÓN SEGÚN EL PERÍODO DE GARANTÍA DECLARADA. POR CONSIGUIENTE, CUALQUIER GARANTÍA IMPLÍCITA, INCLUSO LAS DE COMERCIABILIDAD, IDONEIDAD PARA UN PROPÓSITO EN PARTICULAR, O DE CUALQUIER TIPO, PIERDEN TOTALMENTE SU VALIDEZ DESPUÉS DEL VENCIMIENTO DEL PERÍODO DE GARANTÍA CORRESPONDIENTE DE DOS AÑOS, UN AÑO O NOVENTA DÍAS. DE CONFORMIDAD CON ESTA GARANTÍA, LA OBLIGACIÓN DE TECHTRONIC INDUSTRIES NORTH AMERICA, INC. SE LIMITA ESTRICTA Y EXCLUSIVAMENTE A LA REPARACIÓN O REMPLAZO DE LAS PIEZAS DEFECTUOSAS, Y TECHTRONIC INDUSTRIES NORTH AMERICA, INC. NO ASUME NINGUNA OTRA OBLIGACIÓN, NI AUTORIZA A NADIE ASUMIRLA A NOMBRE DE DICHA COMPAÑÍA. ALGUNOS ESTADOS NO PERMITEN LIMITACIONES EN CUANTO A LA DURACIÓN DE UNA GARANTÍA IMPLÍCITA, POR LO CUAL ES POSIBLE QUE LA LIMITACIÓN ANTERIOR NO SE APLIQUE EN EL CASO DE USTED. TECHTRONIC INDUSTRIES NORTH AMERICA, INC. NO ASUME NINGUNA RESPONSABILIDAD POR DAÑOS DIRECTOS, INDIRECTOS O DE NINGÚN OTRO TIPO, COMO EL GASTO DE ENVIAR EL PRODUCTO A UN CENTRO DE SERVICIO AUTORIZADO RYOBI Y EL GASTO DE ENVIARLO DE ALLÍ AL PROPIETARIO, EL TIEMPO DE VIAJE DEL MECÁNICO, CARGOS TELEFÓNICOS O TELEGRÁFICOS, ALQUILER DE UN PRODUCTO SUSTITUTO DURANTE EL TIEMPO DE REALIZACIÓN DEL SERVICIO DE LA GARANTÍA, VIAJES, PÉRDIDA O DAÑOS A OBJETOS DE PROPIEDAD PERSONAL, PÉRDIDA DE INGRESOS, PÉRDIDA DEL USO DEL PRODUCTO, PÉRDIDA DE TIEMPO O INCONVENIENTES. EN ALGUNOS ESTADOS NO SE PERMITE LA EXCLUSIÓN O LIMITACIÓN DE DAÑOS DIRECTOS O INDIRECTOS, POR LO CUAL ES POSIBLE QUE LA LIMITACIÓN O EXCLUSIÓN DESCRITA ARRIBA NO SE APLIQUE EN SU CASO.

Esta garantía le confiere derechos legales específicos, y es posible que usted goce de otros derechos, los cuales pueden variar de estado a estado.

Esta garantía se aplica a todas las herramientas para uso en el exterior de la marca RYOBI® fabricadas por Techtronic Industries North America, Inc. y vendidos en Estados Unidos y Canadá.

Para encontrar el centro de servicio autorizado Ryobi más cercano a usted, llame al 1-800-860-4050.

GARANTÍA

LA SIGUIENTE DECLARACIÓN DE LA OFICINA DE RECURSOS ATMOSFÉRICOS DE CALIFORNIA (CARB) SE APLICA SÓLO A LOS MODELOS OBLIGADOS A CUMPLIR CON LOS REQUISITOS DE DICHO ORGANISMO.

DECLARACIÓN DE GARANTÍA LIMITADA DE TECHTRONIC INDUSTRIES NORTH AMERICA, INC. Y REGULACIONES FEDERALES Y DEL ESTADO DE CALIFORNIA EN RELACIÓN CON LOS SISTEMAS DE CONTROL DE EMISIONES DE MOTORES NO VEHICULARES Y DE MOTORES PEQUEÑOS PARA USO FUERA DE CARRETERAS

DERECHOS Y OBLIGACIONES DEL CONSUMIDOR SEGÚN LA GARANTÍA

La Dirección de Protección Ambiental (EPA) de EE.UU., la Oficina de Recursos Atmosféricos de California (CARB) y Techtronic Industries North America, Inc. tienen el placer de explicar la Garantía del Sistema de Control de Emisiones de su motor no vehicular o motor pequeño para uso fuera de carreteras modelo 2010. En California, los equipos nuevos que usen motores pequeños para uso fuera de carreteras deben diseñarse, fabricarse y equiparse de manera que cumplan con las rigurosas normas estatales contra la contaminación del aire. En otros estados, los motores nuevos no vehiculares fabricados en el año 2000 y en años posteriores deben estar diseñados, fabricados y equipados, al momento de la venta, para cumplir las normas de la EPA de EE.UU. para motores pequeños para uso fuera de carreteras. El motor no vehicular debe carecer de defectos en los materiales y en la mano de obra que puedan causar el incumplimiento de las normas de la EPA de EE.UU. durante los primeros tres años de uso del motor a partir de la fecha de venta al comprador final. Techtronic Industries North America, Inc. debe garantizar el sistema de control de emisiones de su motor no vehicular o motor pequeño para uso fuera de carreteras por el período señalado arriba, siempre y cuando dicho motor no haya sido sujeto a uso indebido, negligencia o mantenimiento inadecuado.

Es posible que el sistema de control de emisiones incluya piezas como el carburador o el sistema de inyección de combustible, el sistema de encendido, convertidores catalíticos, tanques de combustible, válvulas, filtros, abrazaderas, conectores y otros componentes relacionados. También puede incluir mangueras, correas y conectores, además de otros ensamblajes relacionados con el control de emisiones.

Donde exista una condición amparada en la garantía, Techtronic Industries North America, Inc. reparará su motor no vehicular o motor pequeño para uso fuera de carreteras sin ningún cargo a usted, incluyendo el diagnóstico, las piezas de repuesto y la mano de obra si el trabajo se efectúa en un centro de servicio autorizado de productos para uso en el exterior de la marca RYOBI®.

COBERTURA DE LA GARANTÍA DEL FABRICANTE:

El sistema de control de emisiones de este producto está garantizado por tres años. Si está defectuosa cualquier pieza del motor relacionada con el control de emisiones, Techtronic Industries North America, Inc. la reparará o la reemplazará, sin cargo al consumidor.

RESPONSABILIDADES DEL PROPIETARIO EN RELACIÓN CON LA GARANTÍA

(a) Como propietario del motor no vehicular o motor pequeño para uso fuera de carreteras, usted es responsable de la realización del mantenimiento necesario indicado en el manual del operador. Techtronic Industries North America, Inc. le recomienda conservar todos los recibos de mantenimiento de su motor no vehicular o motor pequeño para uso fuera de carreteras; no obstante, Techtronic Industries North America, Inc. no puede negar la cobertura de la garantía únicamente por la carencia de recibos o por no asegurarse el propietario de la realización de todo el mantenimiento programado. Se pueden usar piezas de repuesto o servicios equivalentes en rendimiento y durabilidad en las tareas de mantenimiento o reparación no amparadas por la garantía, sin que se reduzcan las obligaciones de Techtronic Industries North America, Inc. amparadas por esta garantía.

(b) Sin embargo, como propietario de un motor no vehicular o motor pequeño para uso fuera de carreteras, usted debe saber que Techtronic Industries North America, Inc. puede negarle la cobertura de la garantía si dicho motor o una parte del mismo ha fallado debido a uso indebido, negligencia, mantenimiento inadecuado o modificaciones no autorizadas.

(c) Usted es responsable de presentar su motor no vehicular o motor pequeño para uso fuera de carreteras en un establecimiento de servicio autorizado tan pronto como surja el problema. Las reparaciones amparadas por la garantía deben realizarse en un plazo razonable menor de 30 días.

Si tiene alguna pregunta con respecto a sus derechos y responsabilidades en relación con la garantía, le recomendamos comunicarse con un representante del departamento de servicio al consumidor de Techtronic Industries North America, Inc. llamando al 1-800-860-4050.

REQUISITOS DE COBERTURA DE DEFECTOS ESTABLECIDOS EN LA GARANTÍA:

(a) El período de garantía se inicia el día en que el motor o equipo es entregado a un comprador final.

(b) Cobertura de Garantía General por Emisiones. Techtronic Industries North America, Inc. garantiza al comprador final y a cada uno de los compradores subsiguientes que su motor no vehicular o motor para uso fuera de carreteras está diseñado, fabricado y equipado, al momento de la venta, para cumplir todas las normas correspondientes adoptadas por la Oficina de Recursos Atmosféricos de California (CARB) o la Dirección de Protección Ambiental (EPA) de EE.UU.; que carece de defectos en los materiales y en la mano de obra que puedan causar el incumplimiento de las normas correspondientes por parte del motor durante un período de tres años a partir de la fecha de compra del motor no vehicular o motor pequeño para uso fuera de carreteras por el comprador inicial.

(c) La garantía sobre las piezas relacionadas con el control de emisiones se interpretará como sigue: Toda pieza garantizada cuyo cambio no esté programado según lo requerido en el Programa de mantenimiento para el control de emisiones y lista de piezas con garantía, incluido a continuación, está garantizada por tres años. Si alguna de dichas piezas (incluida cualquier pieza para la que se programen únicamente inspecciones regulares) falla durante el período de cobertura de la garantía, será reparada o reemplazada sin cargo en cualquier Centro de Servicio Autorizado de RYOBI®. Cualquier pieza reparada o reemplazada en virtud de la garantía quedará garantizada por el resto del período de la garantía. Una declaración que indique "reparar o reemplazar según sea necesario" no reducirá el período de cobertura de la garantía. Toda pieza garantizada cuyo cambio esté programado según lo requerido en

el Programa de mantenimiento para el control de emisiones y lista de piezas con garantía está garantizada por el período previo al momento del primer cambio programado para dicha pieza. Toda pieza reparada o reemplazada en virtud de la garantía queda garantizada por el resto del período previo al momento del primer cambio programado, y será reparada o reemplazada en cualquier Centro de Servicio Autorizado de RYOBI® sin cargo hasta que llegue el momento de dicho cambio.

Techtronic Industries North America, Inc. reparará todo defecto amparado por la garantía en cualquier Centro de Servicio Autorizado de RYOBI®, incluido cualquier centro de distribución autorizado a realizar el servicio de los motores objeto de la presente. Todo trabajo de diagnóstico que se realice en un Centro de Servicio Autorizado de RYOBI® será sin cargo para el propietario si mediante dicho trabajo se determina que una pieza garantizada está defectuosa. Se pueden utilizar piezas de repuesto aprobadas por el fabricante, o equivalentes, para cualquier mantenimiento o reparación amparado por la garantía en las piezas relacionadas con el control de emisiones, y deben proporcionarse sin ningún cargo para el propietario si dichas piezas aún están protegidas por la garantía. Techtronic Industries North America, Inc. es responsable de daños a otros componentes del motor causados por la falla de una pieza garantizada cuya garantía aún esté vigente.

No está permitido utilizar piezas agregadas o modificadas que no estén exentas por la Oficina de Recursos Atmosféricos de California. El uso de cualquier pieza agregada o modificada que no esté exenta constituirá causal para rechazar un reclamo en virtud de la garantía. Techtronic Industries North America, Inc. no será responsable de garantizar fallas de piezas garantizadas causadas por el uso de una pieza agregada o modificada que no esté exenta.

La Lista de Piezas con Garantía de Emisiones de la Oficina de Recursos Atmosféricos de California define específicamente las piezas garantizadas relacionadas con el control de emisiones. (Las normas de la EPA no incluyen una lista de piezas, pero la EPA considera que las piezas garantizadas y relacionadas con el control de emisiones incluyen todas las piezas que se indican a continuación). Techtronic Industries North America, Inc. proporcionará cualquier documento que describa sus procedimientos o políticas de garantía dentro de los cinco días de haber sido requerido por la Oficina de Recursos Atmosféricos de California.

LISTA DE PIEZAS PARA EL CONTROL DE EMISIONES

Las piezas para el control de emisiones varían de un producto a otro. Su garantía del sistema de control de emisiones se aplica a cualquiera de los siguientes componentes que pueda estar incluido en su producto:

- (1) Sistema de administración de combustible
 - (i) Carburador y piezas internas (y/o regulador de presión o sistema de inyección de combustible).
 - (ii) Sistema de retroalimentación y control de la mezcla de aire y combustible.
 - (iii) Sistema de enriquecimiento de la mezcla para arranque en frío.
 - (iv) Tanque de combustible.
- (2) Sistema de inducción de aire
 - (i) Sistema con toma de aire caliente controlada.
 - (ii) Múltiple de admisión.
 - (iii) Filtro de aire.
- (3) Sistema de encendido
 - (i) Bujías.
 - (ii) Sistema de ignición magnético o electrónico.
 - (iii) Sistema de avance/retardo de chispa.
- (4) Sistema de recirculación de gases de escape (Exhaust Gas Recirculation, EGR)
 - (i) Cuerpo de válvula y separador del carburador del EGR, si corresponde.
 - (ii) Sistema de retroalimentación de régimen y control del EGR.
- (5) Sistema de inyección de aire
 - (i) Bomba de aire o válvula de impulsos.
 - (ii) Válvulas que afecten la distribución del flujo.
 - (iii) Múltiple de distribución.
- (6) Catalizador o sistema de reactor térmico
 - (i) Convertidor catalítico.
 - (ii) Reactor térmico.
 - (iii) Múltiple de escape.
- (7) Controles de partículas
 - (i) Trampas, filtros, precipitadores y cualquier otro dispositivo utilizado para captar emisiones de partículas.
- (8) Elementos varios utilizados en los sistemas antes mencionados
 - (i) Controles electrónicos.
 - (ii) Válvulas e interruptores sensibles al vacío, la temperatura y el tiempo.
 - (iii) Mangueras, correas, conectores y conjuntos.

Con cada nuevo motor, Techtronic Industries North America, Inc. proveerá instrucciones escritas para su mantenimiento y uso por parte del propietario.

El período de cumplimiento con los reglamentos de control de emisiones señalado en la etiqueta de cumplimiento de dichos reglamentos indica el número de horas de funcionamiento para las cuales se ha demostrado que el motor cumple los requisitos de control de emisiones de los reglamentos federales. Categoría C=50 horas, B=125 horas y A=300 horas.



**OPERATOR'S MANUAL
 MANUEL D'UTILISATION
 MANUAL DEL OPERADOR
 4-CYCLE CULTIVATOR
 CULTIVATEUR QUATRE TEMPS
 CULTIVADORA DE CUATRO TIEMPOS
 RY64400**



WARNING:

The engine exhaust from this product contains chemicals known to the State of California to cause cancer, birth defects, or other reproductive harm.

CALIFORNIA PROPOSITION 65



AVERTISSEMENT :

Les gaz d'échappement de ce produit contiennent des produits chimiques identifiés par l'état de Californie comme causes de cancer, de malformations congénitales et d'autres troubles de l'appareil reproducteur.

PROPOSITION 65 DE L'ÉTAT DE CALIFORNIE



ADVERTENCIA:

Las emanaciones provenientes del escape del motor de este producto contienen sustancias químicas reconocidas por el estado de California como causantes de cáncer, defectos congénitos y otras afecciones del aparato reproductor.

CALIFORNIA - PROPUESTA DE LEY NÚM. 65

Ryobi® is a registered trademark of Ryobi Limited used under license.

Ryobi® est une marque déposée de Ryobi Limited utilisée sous licence.

Ryobi® es una marca comercial registrada de Ryobi Limited y es empleada mediante autorización.

• PARTS AND SERVICE

Prior to requesting service or purchasing replacement parts, please obtain your model and serial number from the product data plate.

• MODEL NO. RY64400 SERIAL NO. _____

• HOW TO OBTAIN REPLACEMENT PARTS:

Replacement parts can be purchased online at www.ryobitools.com or by calling 1-800-860-4050. Replacement parts can also be obtained at one of our Authorized Service Centers.

• HOW TO LOCATE AN AUTHORIZED SERVICE CENTER:

Authorized Service Centers can be located online at www.ryobitools.com or by calling 1-800-860-4050.

• HOW TO OBTAIN CUSTOMER OR TECHNICAL SUPPORT:

To obtain Customer or Technical Support please contact us at 1-800-860-4050.

• • • • •

• PIÈCES ET SERVICE

Avant de faire la demande de service ou l'achat de pièces de remplacement, veuillez obtenir le numéro de série du modèle à partir de la plaque de données du produit.

• NUMÉRO DE MODÈLE RY64400 NUMÉRO DE SÉRIE _____

• COMMENT OBTENIR LES PIÈCES DE REMPLACEMENT :

Les pièces de remplacement peuvent être achetées en ligne sur le site www.ryobitools.com ou par téléphone au 1-800-860-4050. Les pièces de remplacement peuvent être obtenues à un de nos centres de service autorisés.

• COMMENT TROUVER UN CENTRE DE SERVICE AUTORISÉ :

Les centres de service autorisés peuvent être localisés en ligne au www.ryobitools.com ou en téléphonant au 1-800-860-4050.

• COMMENT OBTENIR DE L'AIDE EN CONTACTANT LE SERVICE À LA CLIENTÈLE :

Pour contacter le service à la clientèle pour une question technique ou pour tout autre renseignement, veuillez nous téléphoner au 1-800-860-4050.

• • • • •

• PIEZAS DE REPUESTO Y SERVICIO

Antes de solicitar servicio técnico o comprar piezas de repuesto, obtenga su modelo y número de serie de la placa de datos del producto.

• NÚMERO DE MODELO RY64400 NÚMERO DE SERIE _____

• CÓMO OBTENER PIEZAS DE REPUESTO:

Las piezas de repuesto se pueden comprar en nuestro sitio en la red mundial, en la dirección www.ryobitools.com o llamando al 1-800-860-4050. Las piezas de repuesto también se pueden obtener en uno de nuestros Centros de Servicio Autorizados.

• CÓMO LOCALIZAR UN CENTRO DE SERVICIO AUTORIZADO:

Puede encontrar los Centros de Servicio Autorizados visitando nuestro sitio en la red mundial, en la dirección www.ryobitools.com or by calling 1-800-860-4050.

• CÓMO OBTENER SERVICIO O ASISTENCIA TÉCNICA AL CONSUMIDOR:

Para obtener Servicio o Asistencia Técnica al Consumidor, sírvase comunicarse con nosotros llamando al 1-800-860-4050.

TECHTRONIC INDUSTRIES NORTH AMERICA, INC.

1428 Pearman Dairy Road, Anderson, SC 29625 USA

1-800-860-4050 • www.ryobitools.com